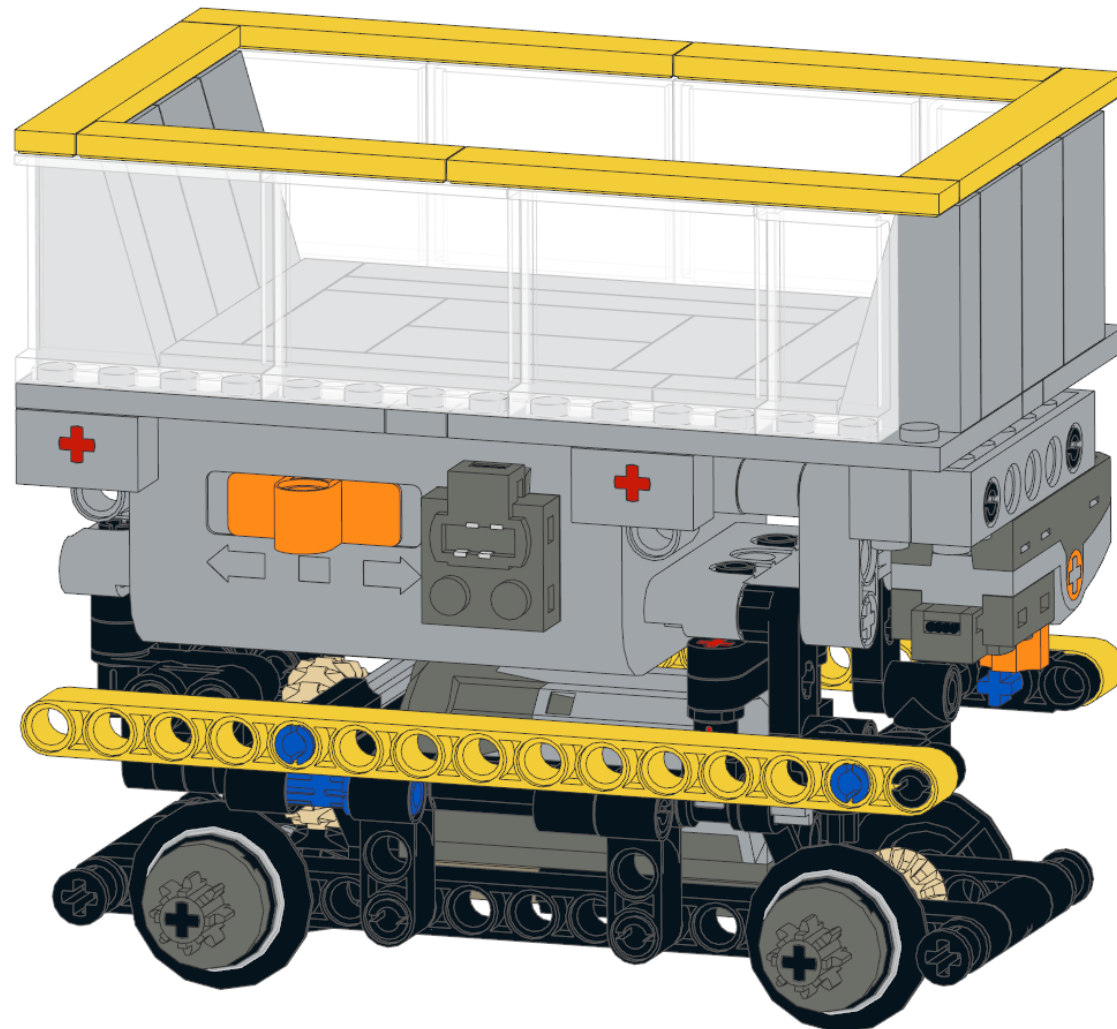
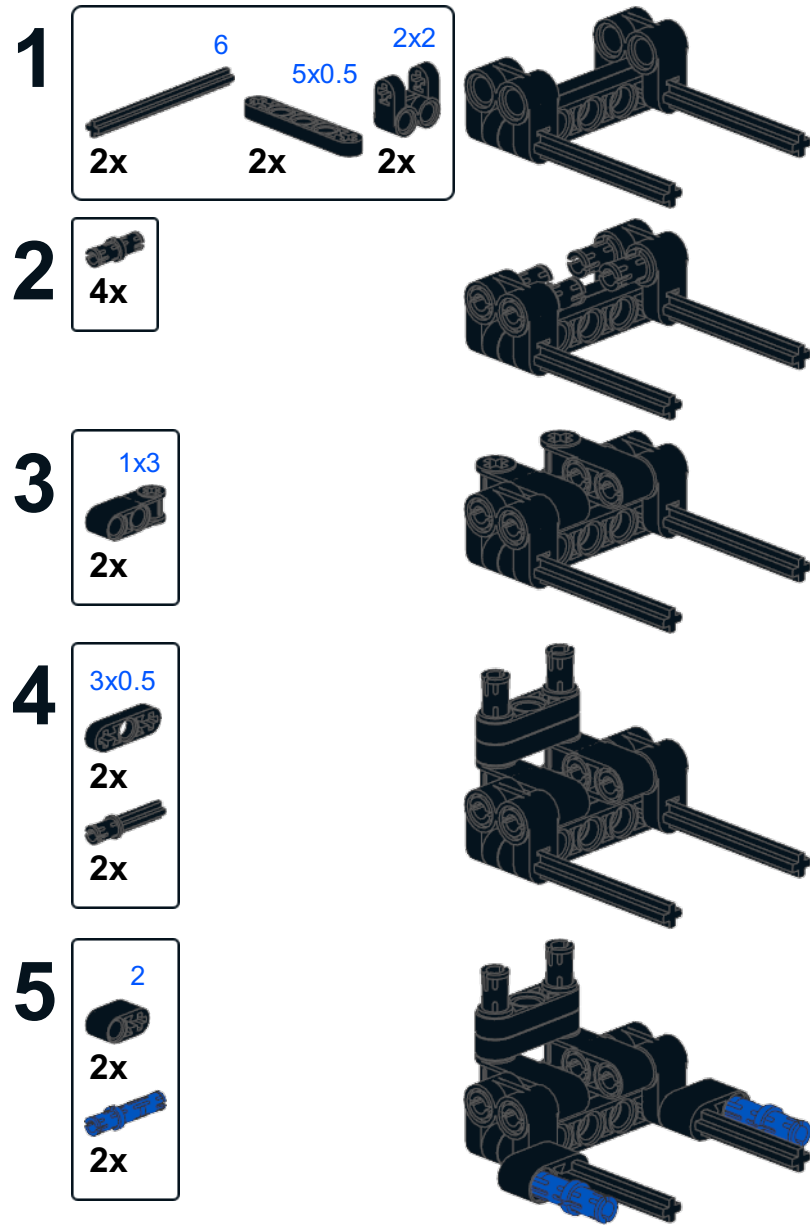


Train Unit

Model design and instructions by Akiyuki

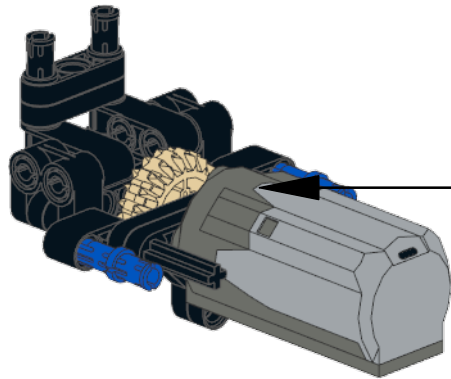
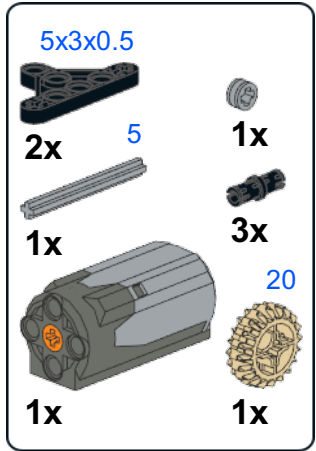
173 Pieces



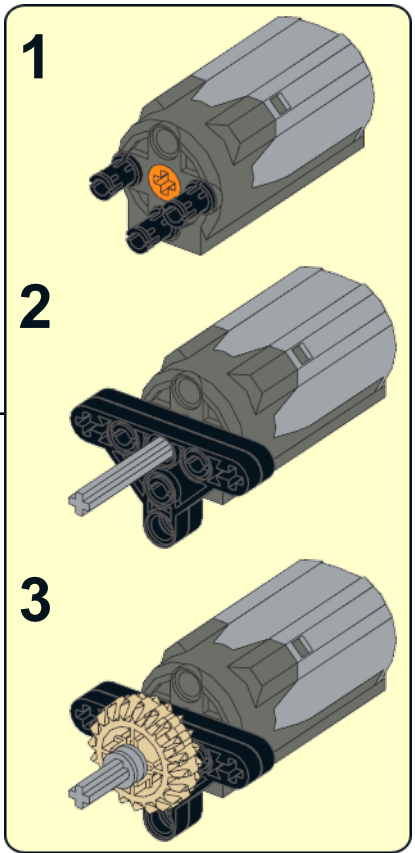


6

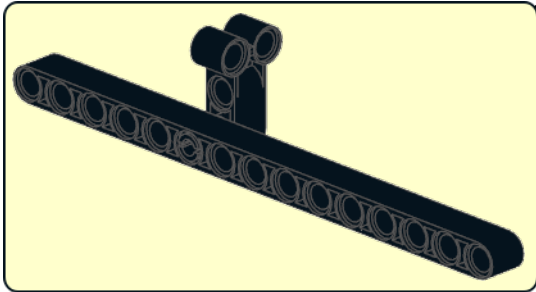
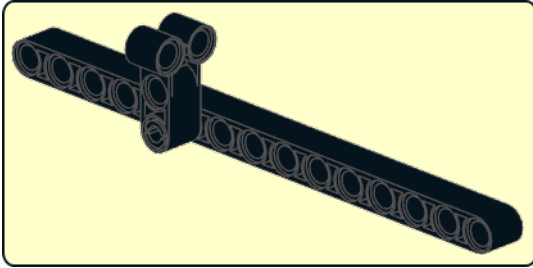
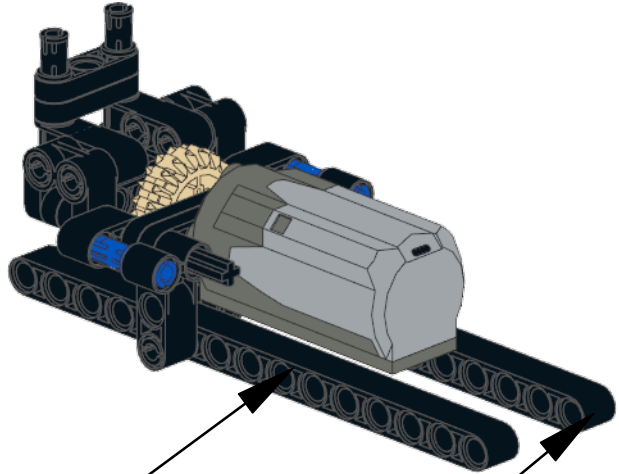
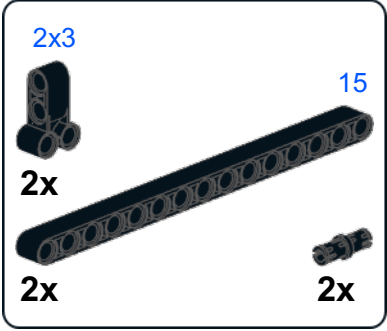
5x3x0.5
2x 5
1x
1x
1x
1x 20



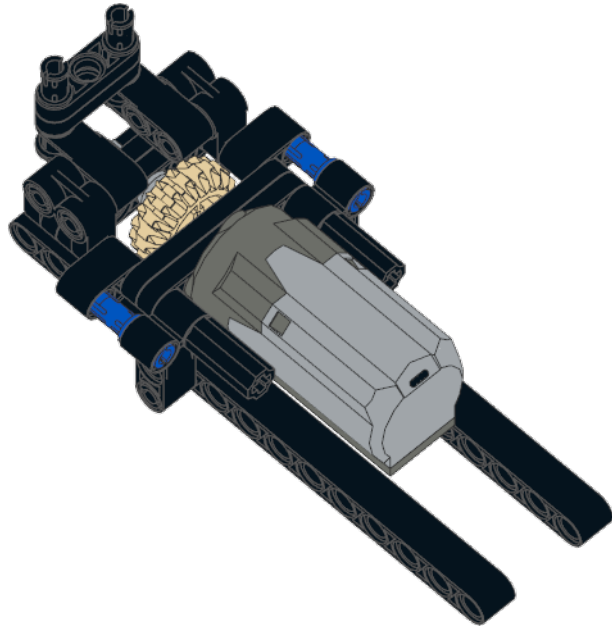
1
2
3



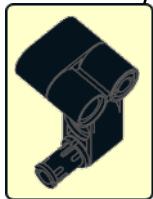
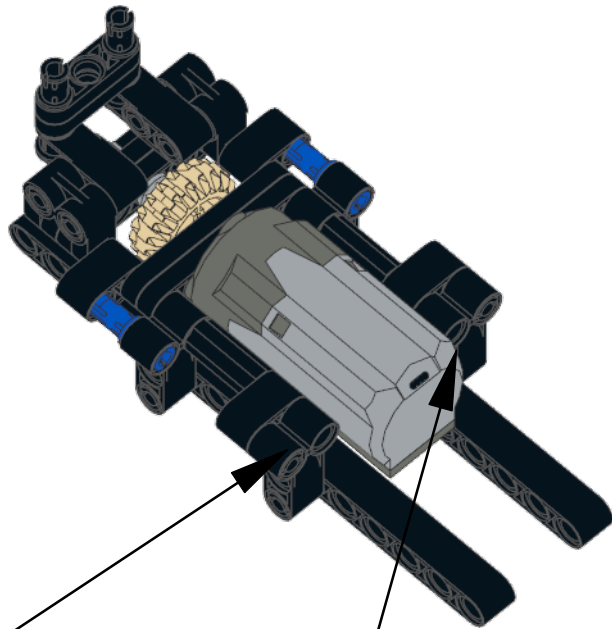
7



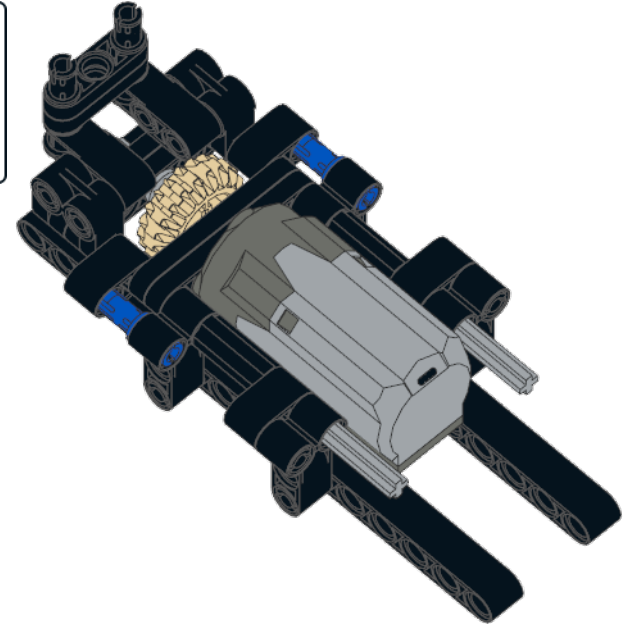
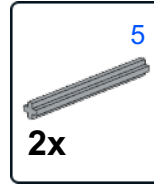
8



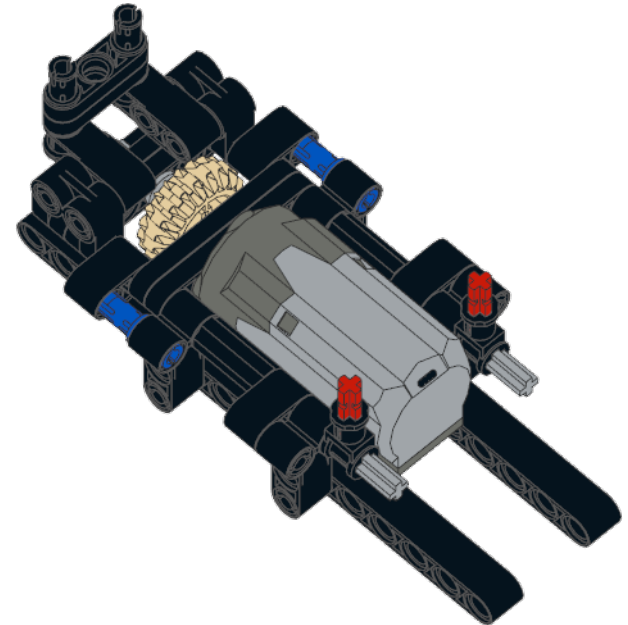
9




10

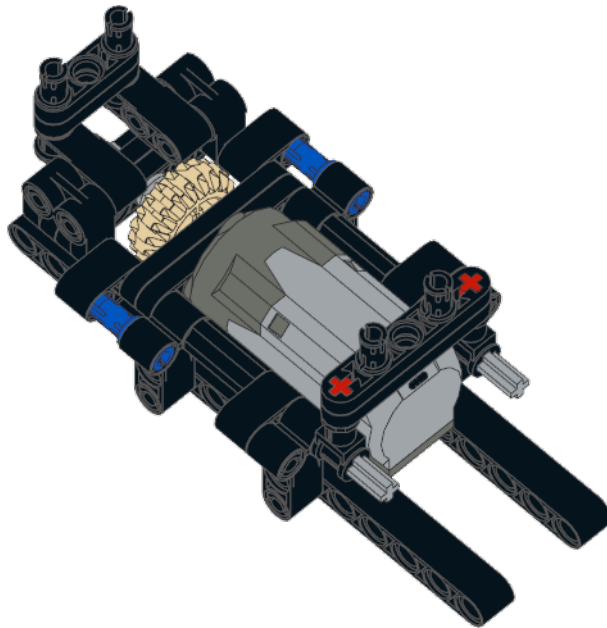


11

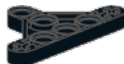


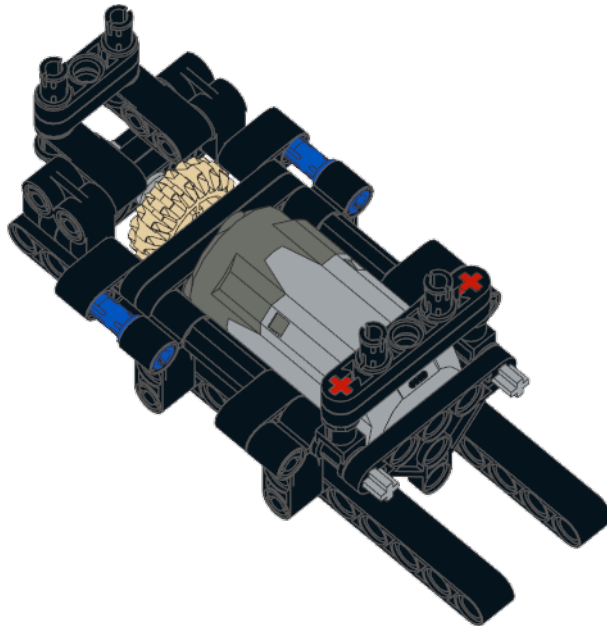
12

-  2x
-  5x0.5
- 2x






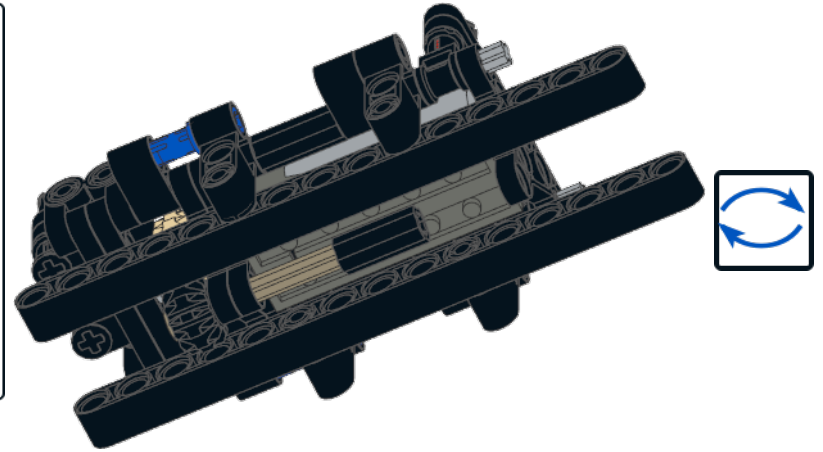
13

-  5x3x0.5
- 1x



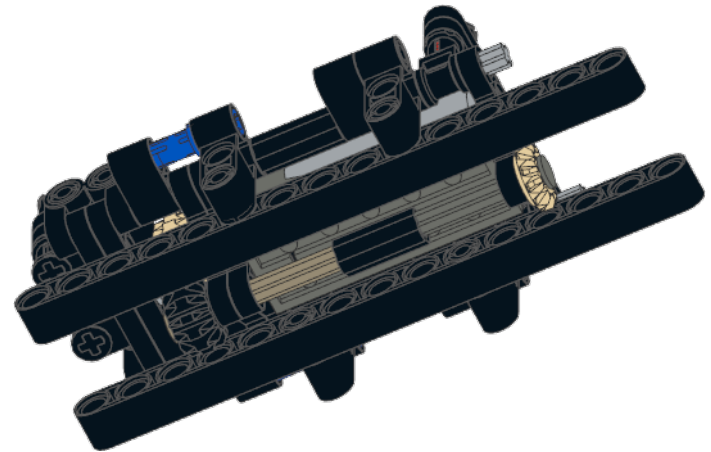
14

-  1x
-  12
-  1x 5
- 1x









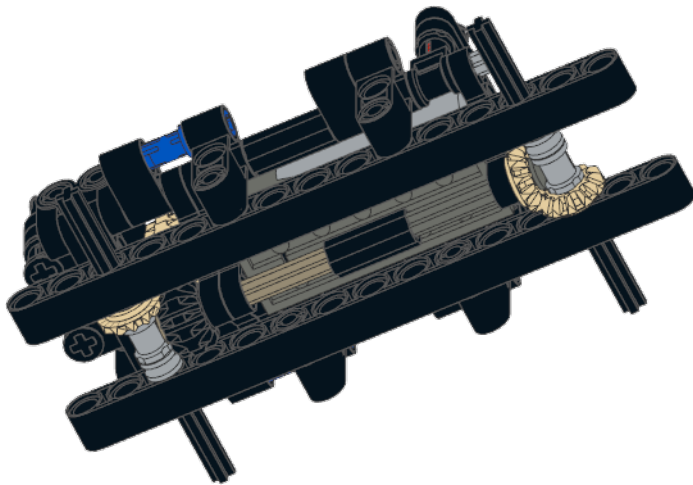
15

-  12
-  1x 4
- 1x







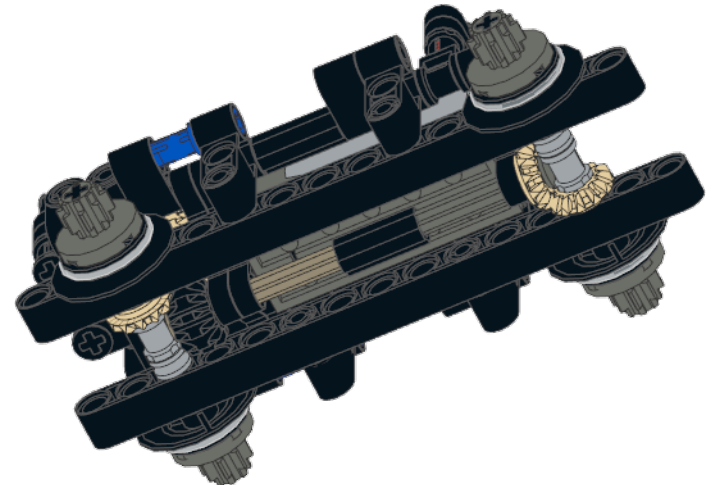
16

-  2x
-  12
-  2x
-  8
-  2x
-  2x



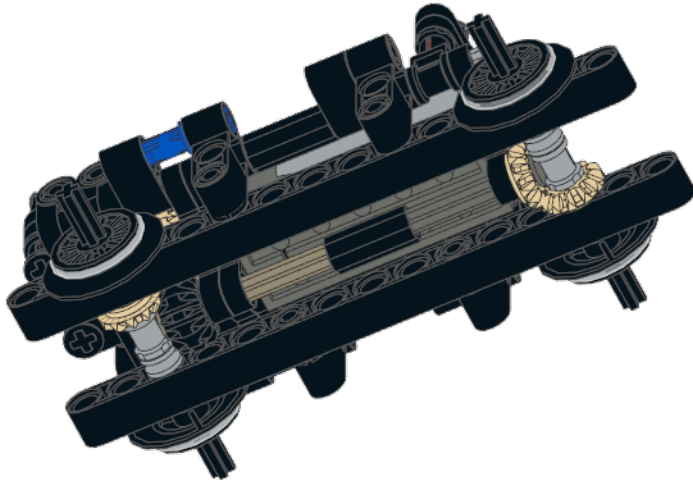
18

-  8
-  4x
-  2x2
-  4x





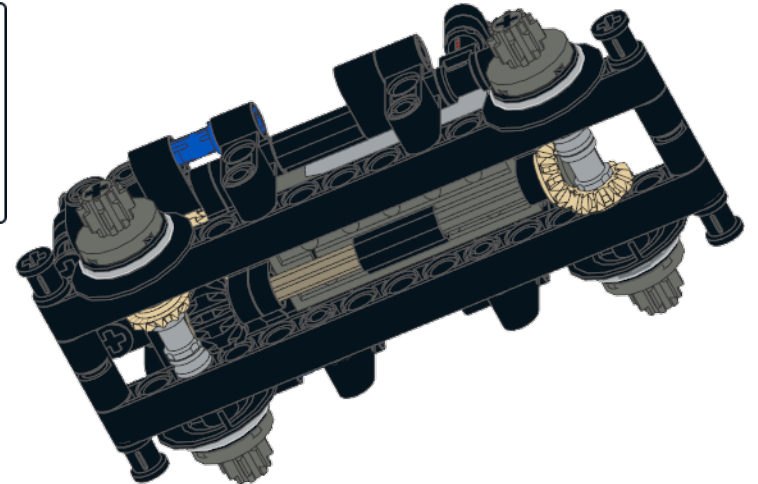
17

-  4x

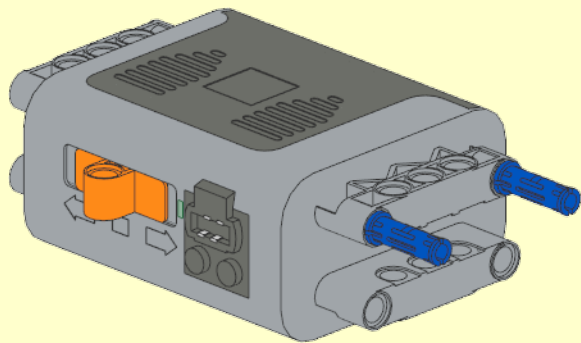
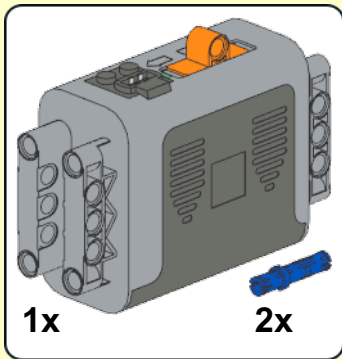


19

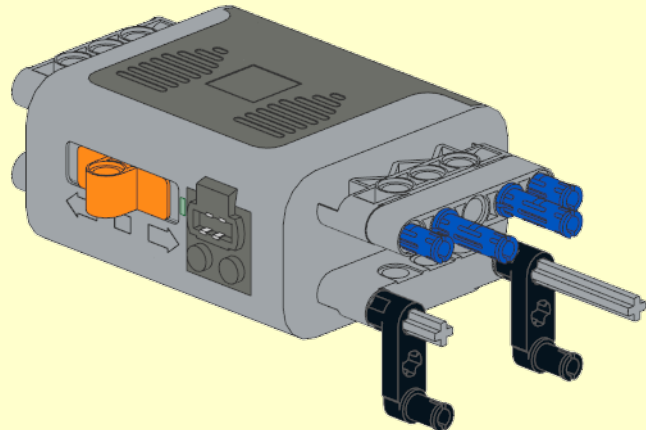
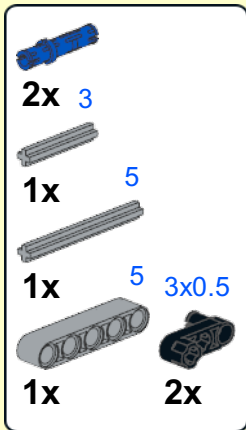
-  2x
-  4x



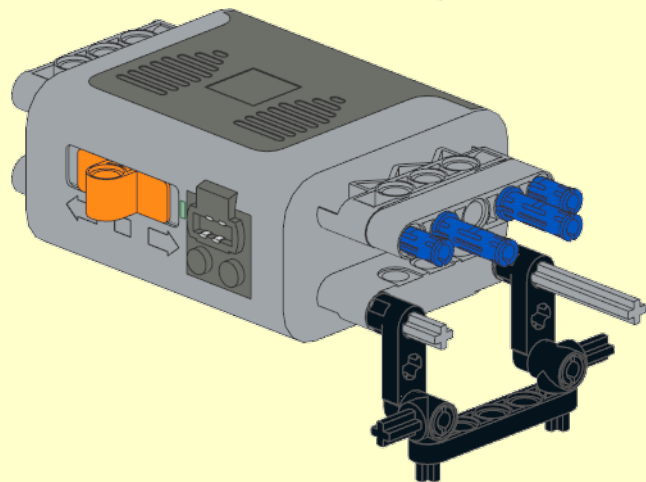
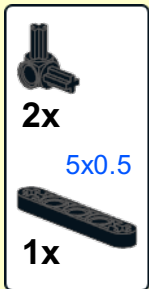
1



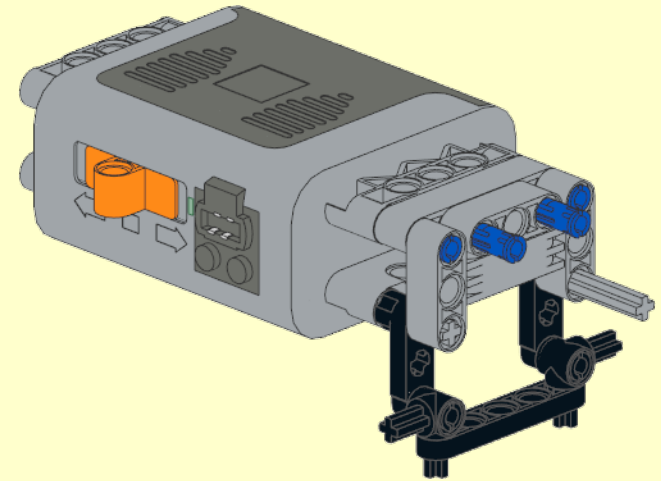
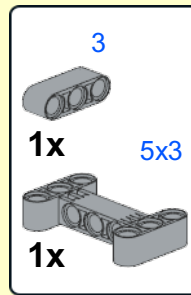
2



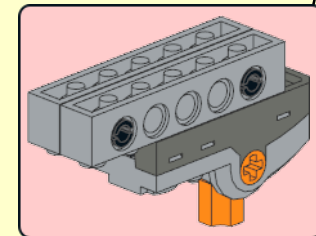
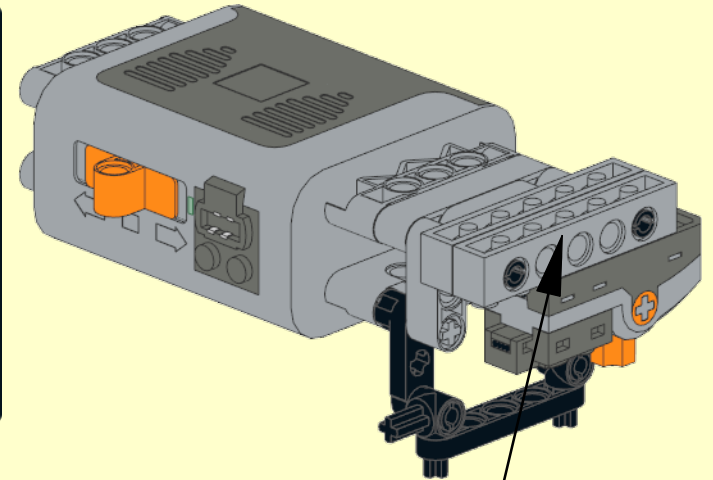
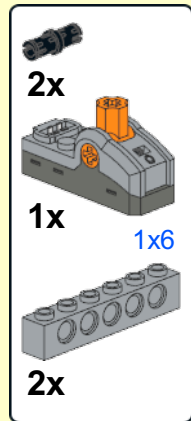
3



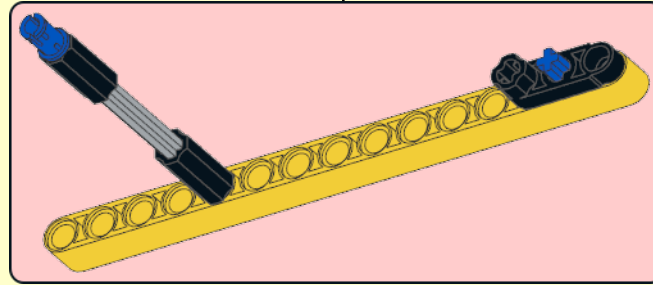
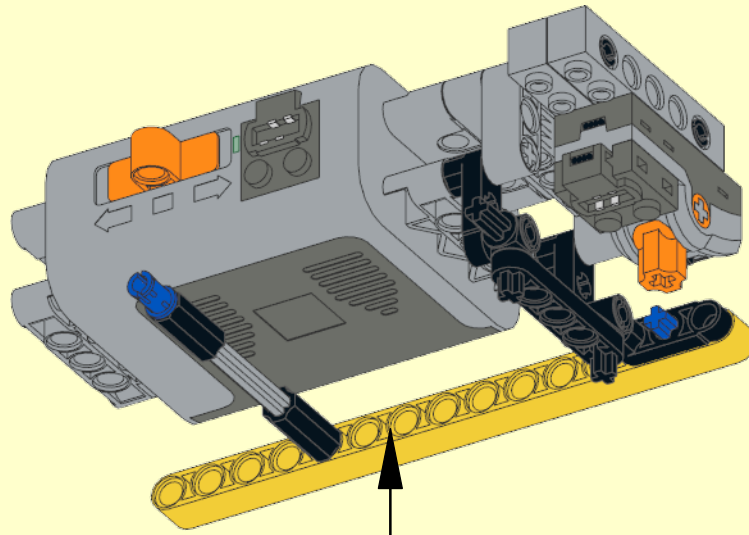
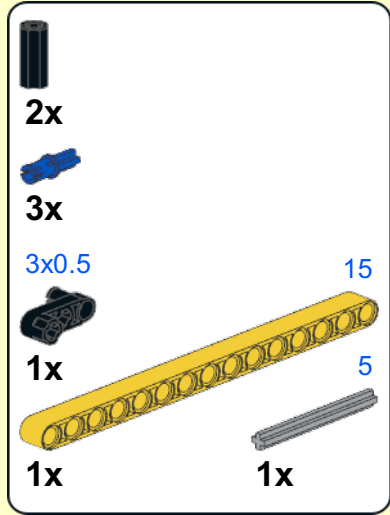
4



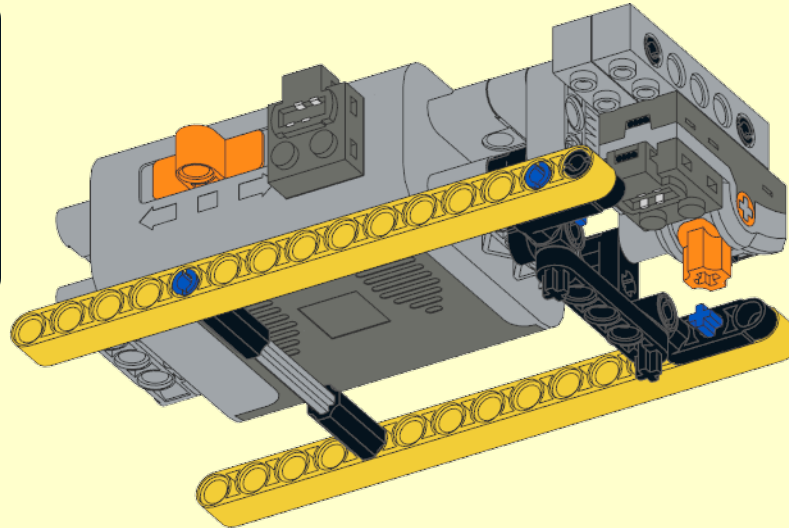
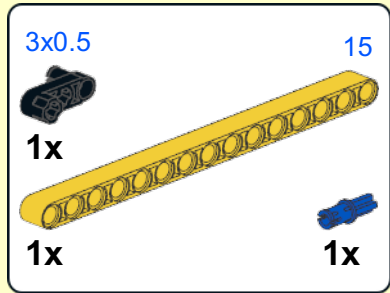
5

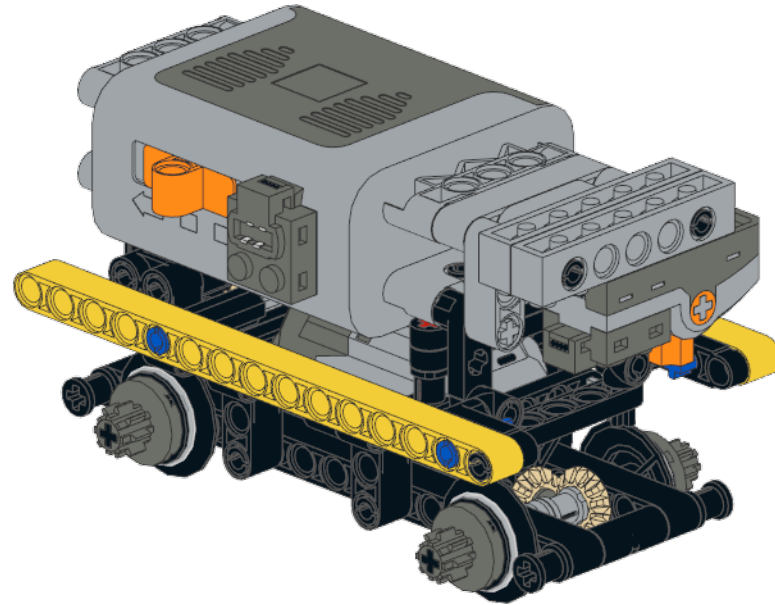


6

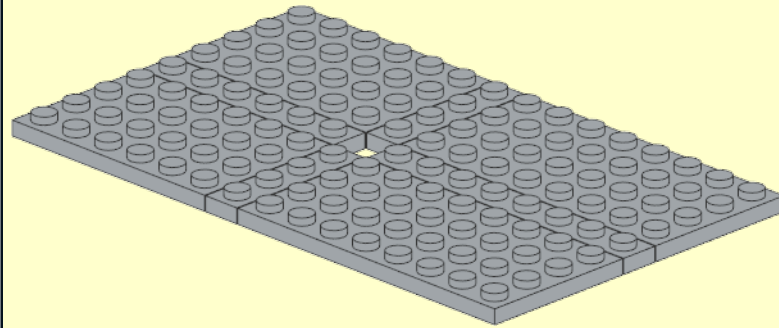
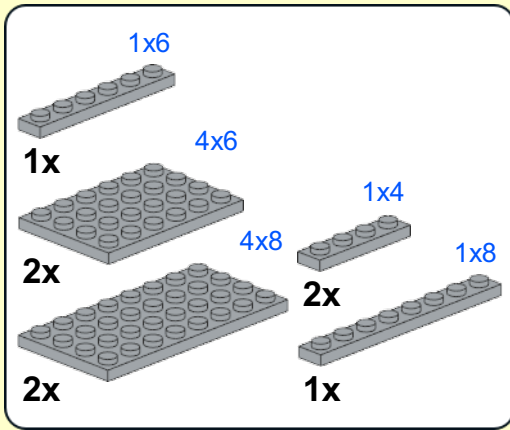


7

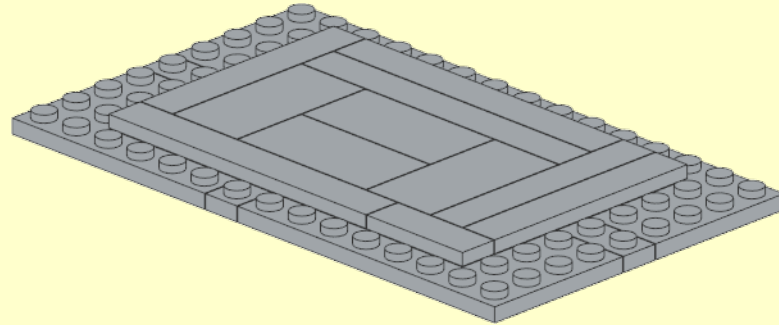
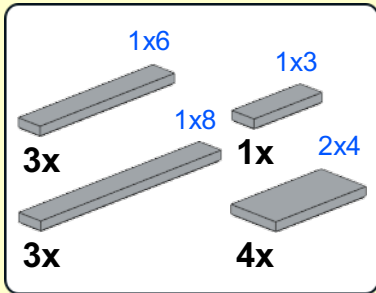




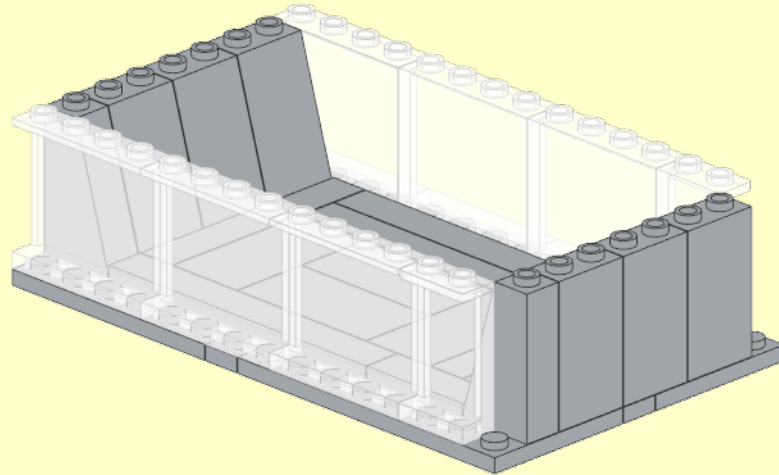
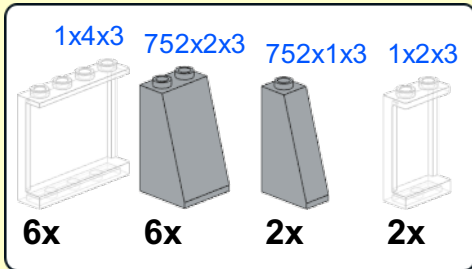
1



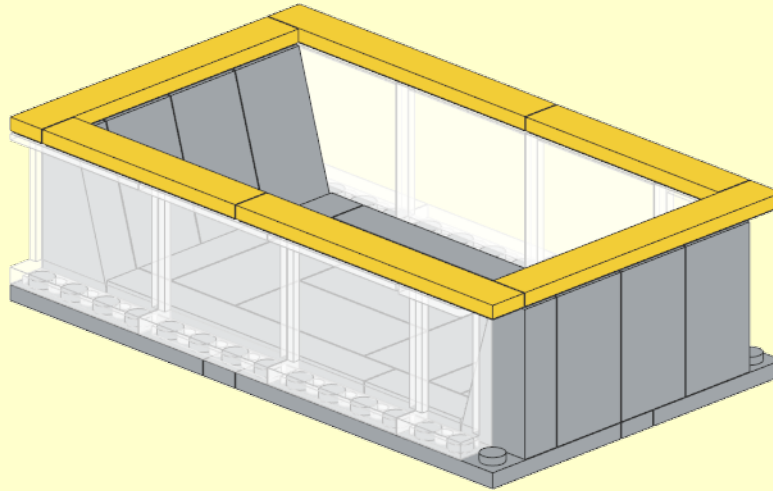
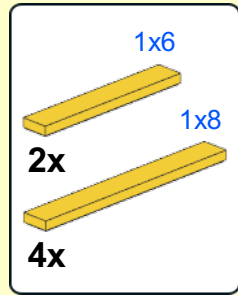
2



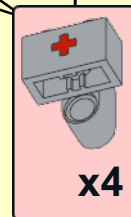
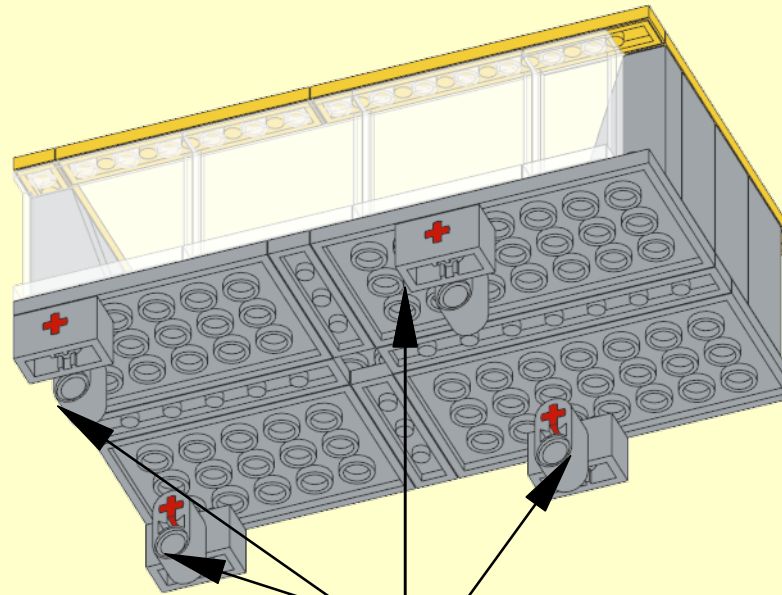
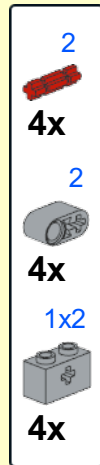
3

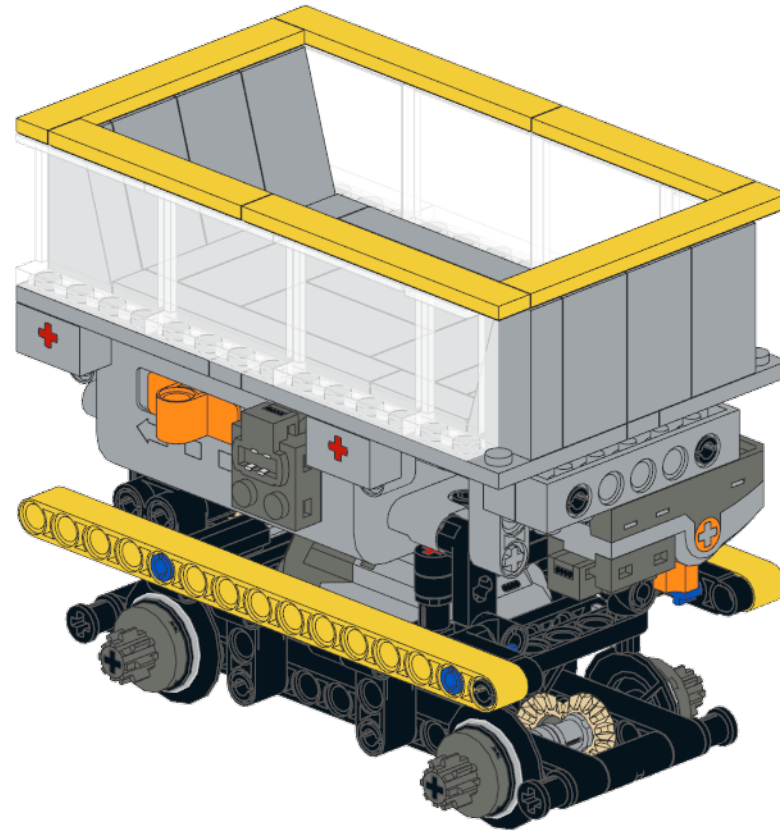


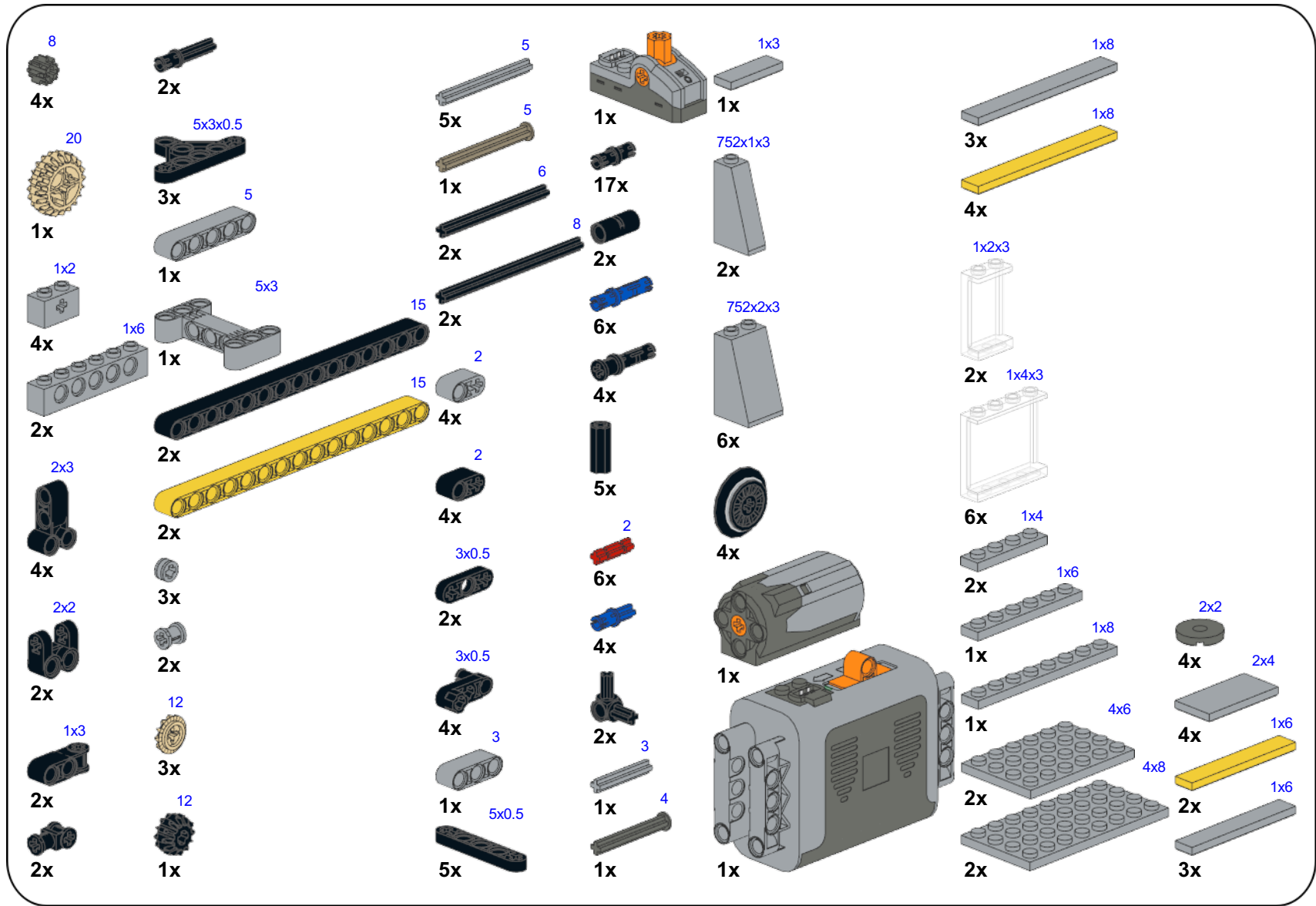
4



5







Model design and PDF Instructions by Akiyuki.
Copyright © 2018 Akiyuki
<http://akiyuki.jp/>

This is a custom model using LEGO® Bricks. Not an official model of the LEGO Group.
LEGO® is a registered trademark of the LEGO Group,
which does not sponsor, endorse, or authorize these
instructions or the model.

The instructions were created using the LDraw System Of Tools.
The CAD file of the model was created using MLCAD.
Publishing was done using LPub3D.