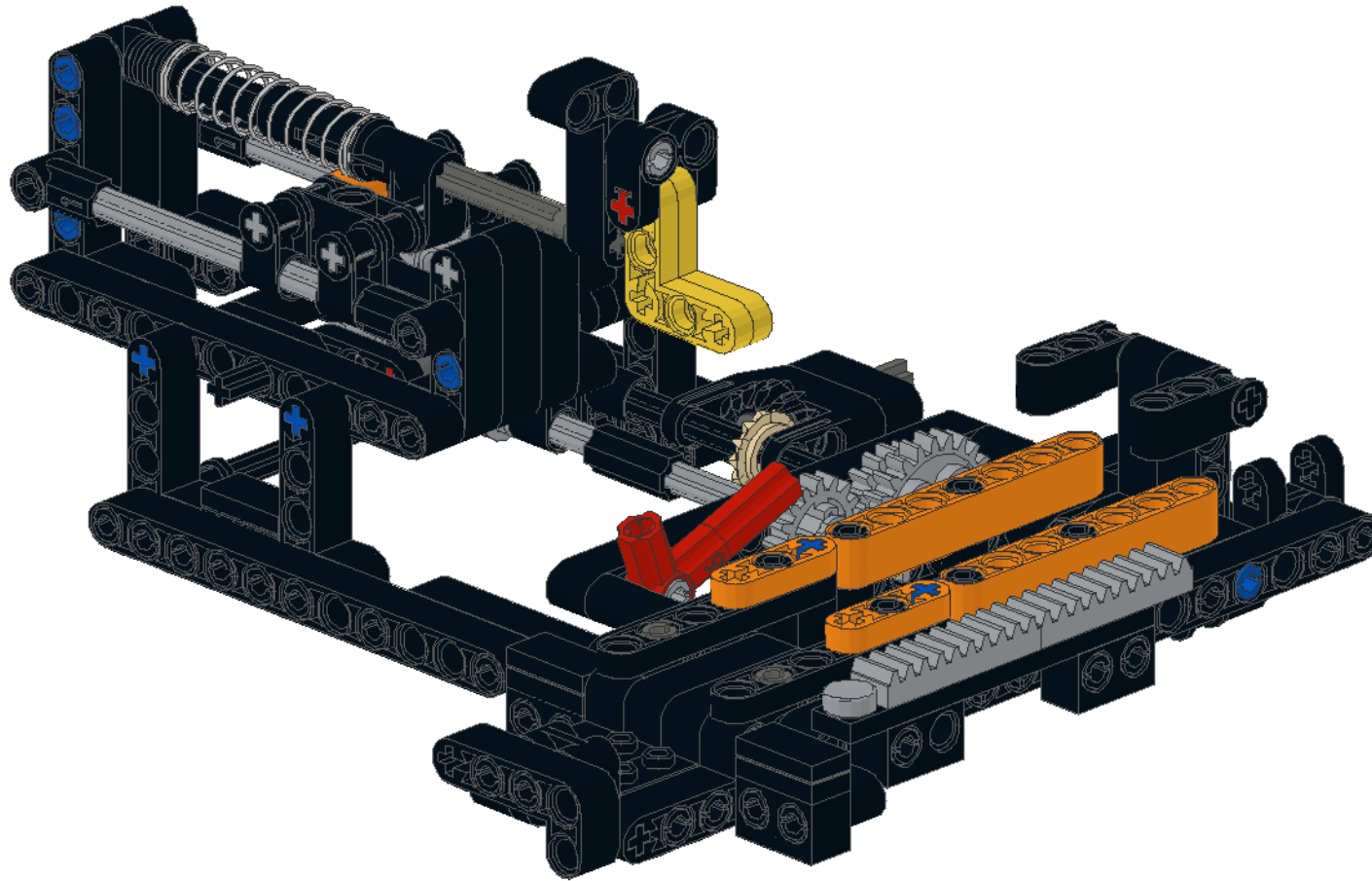
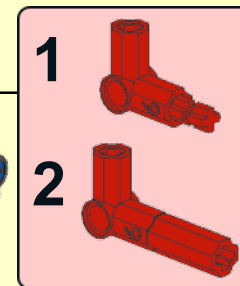
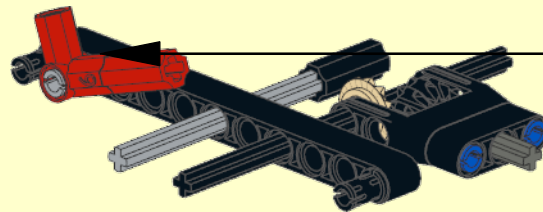
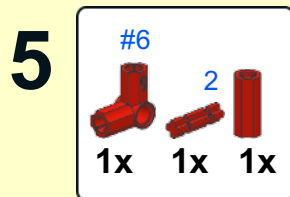
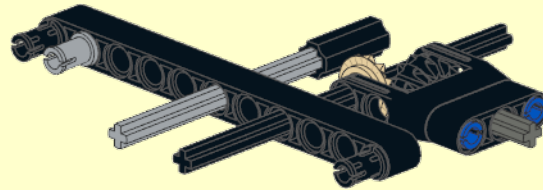
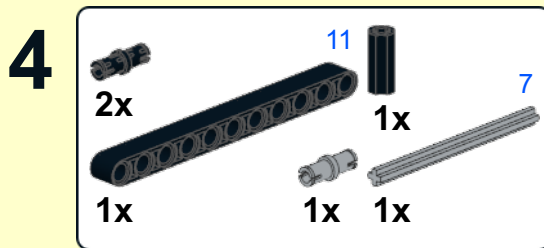
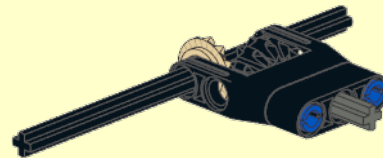
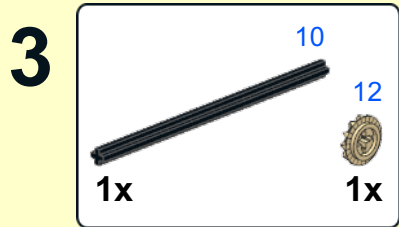
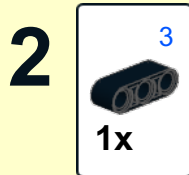
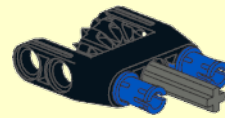
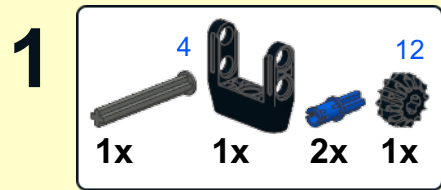


# Reverse Unit

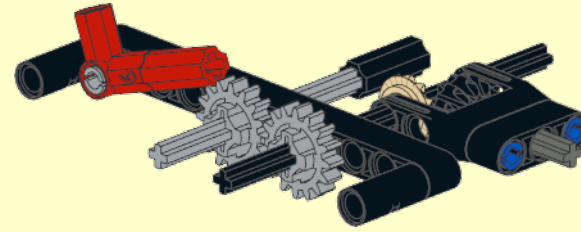
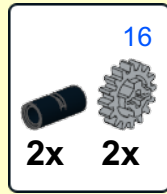
Model design and instructions by Akiyuki

231 Pieces

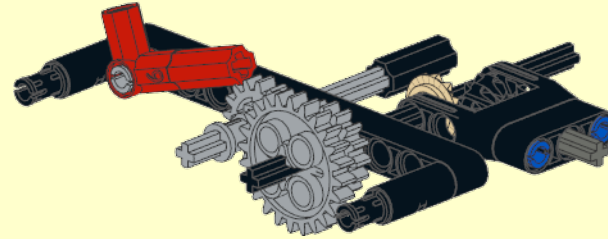
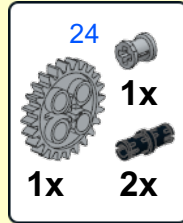




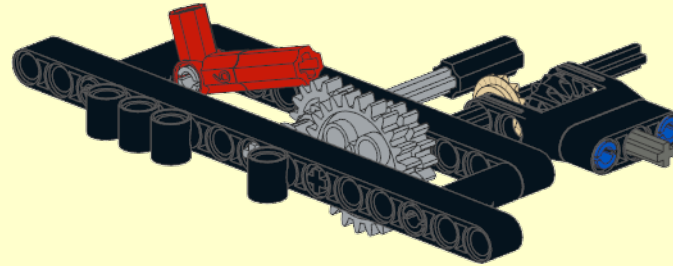
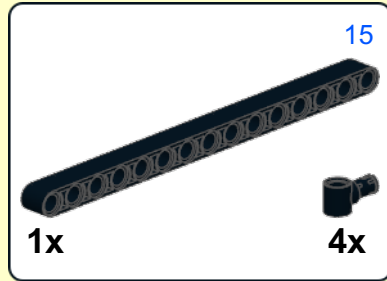
6



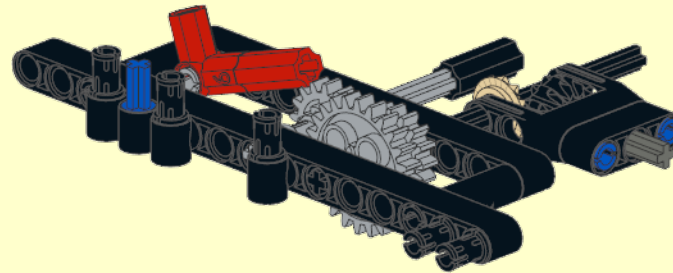
7



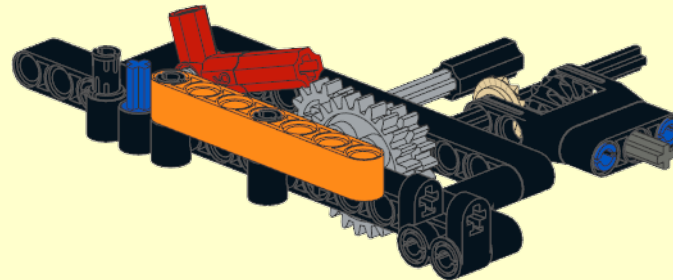
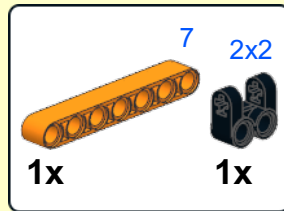
8



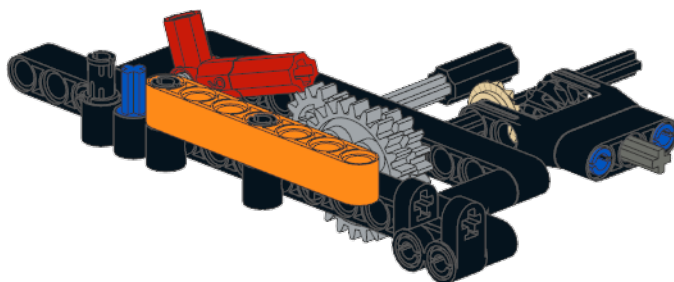
9

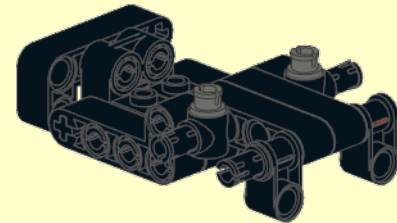
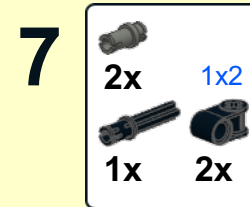
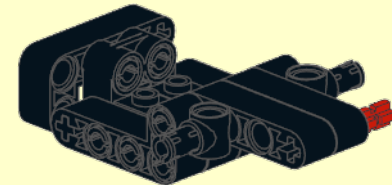
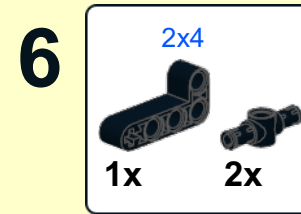
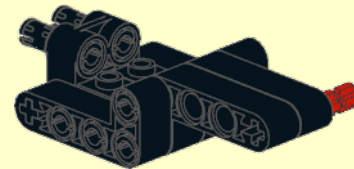
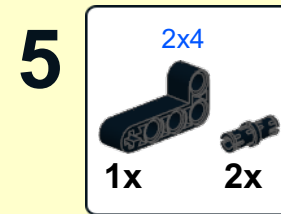
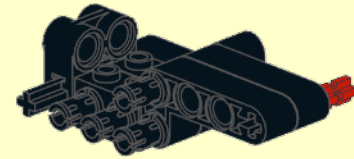
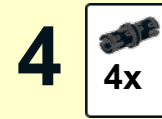
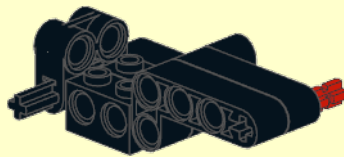
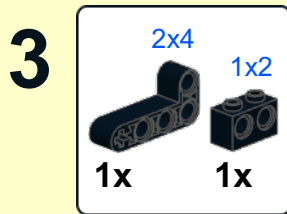
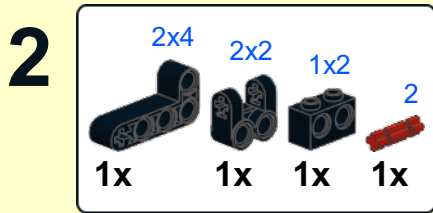
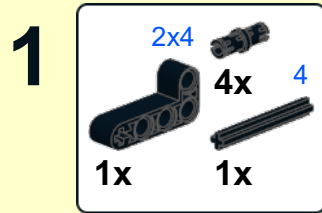


10

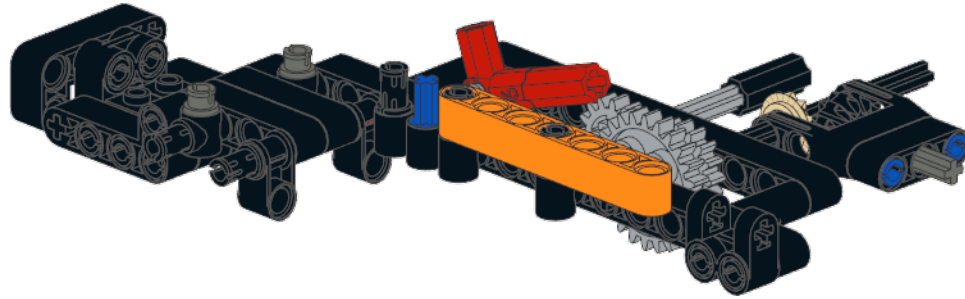


1

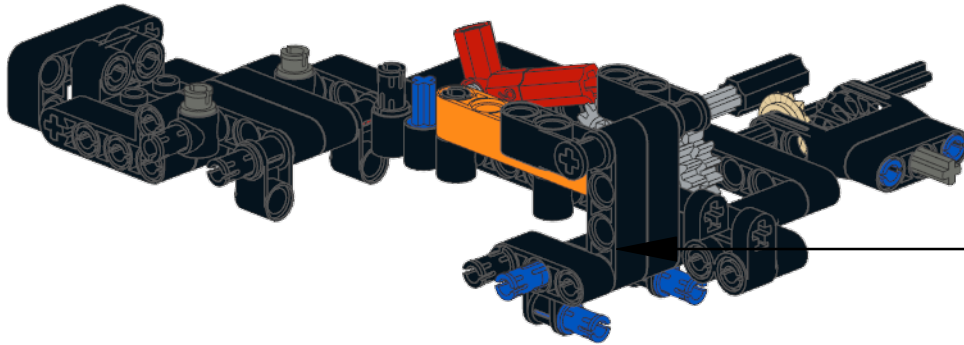




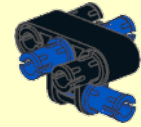
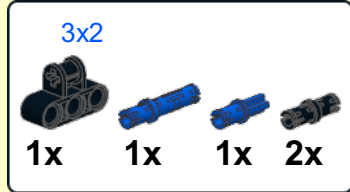
2



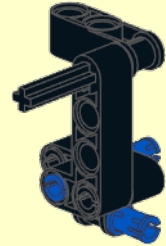
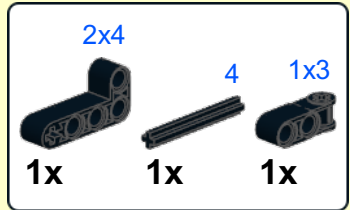
3



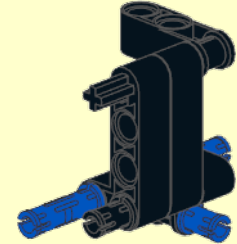
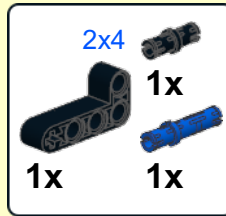
1



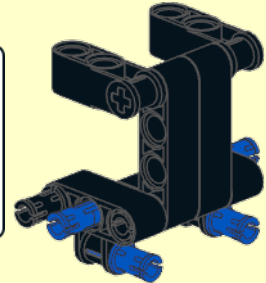
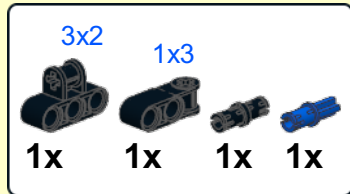
2



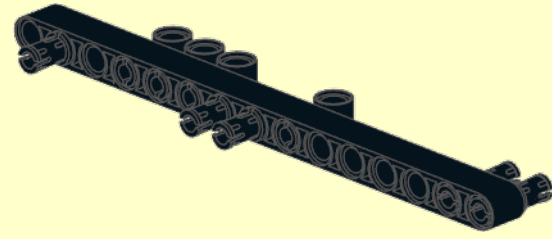
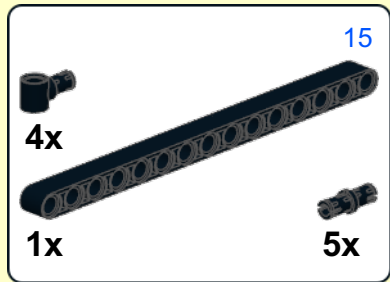
3



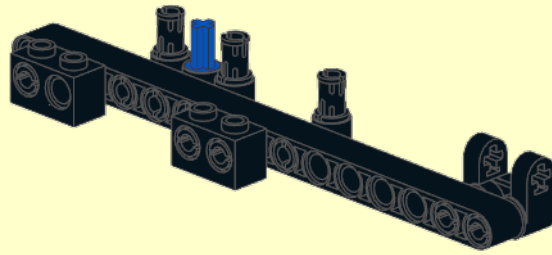
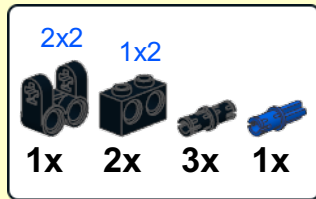
4



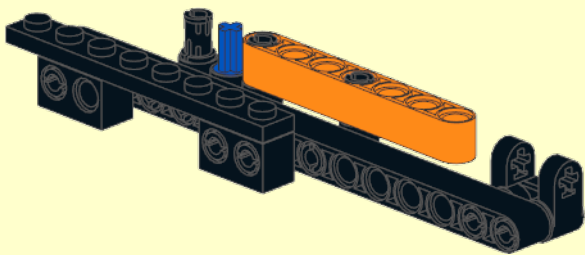
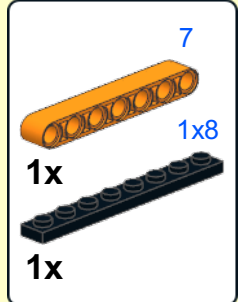
1



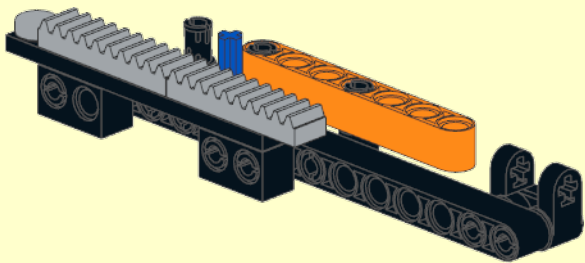
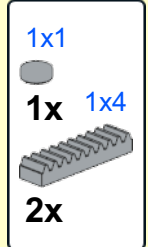
2



3

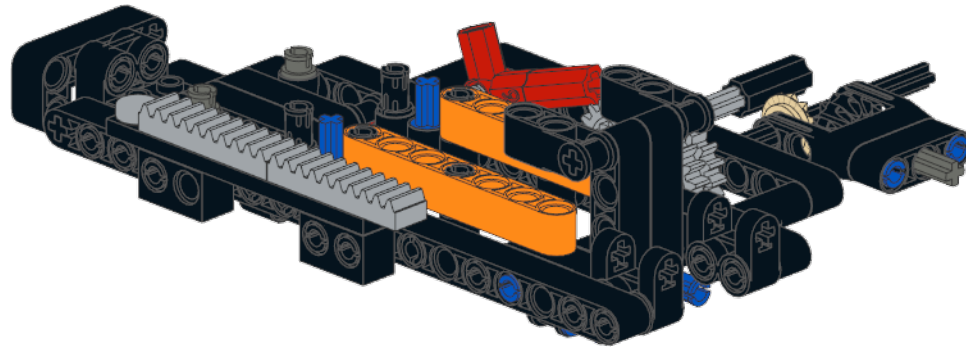


4





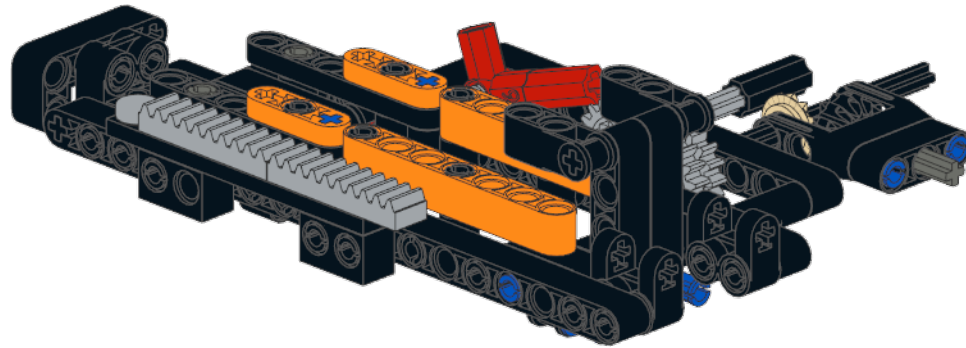


4

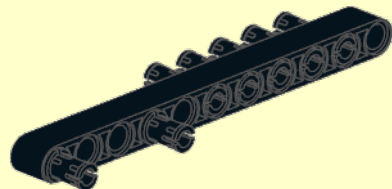
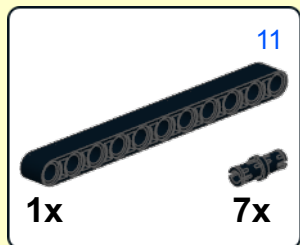


5

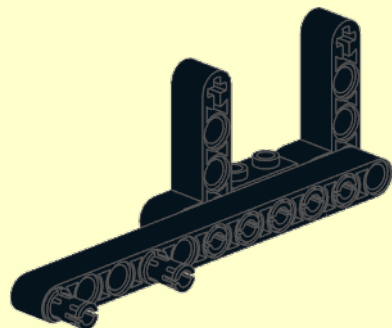
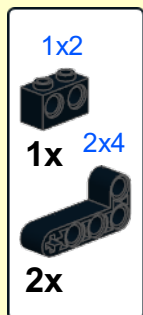
- 3x0.5
- 2x 
- 6x0.5
- 2x 



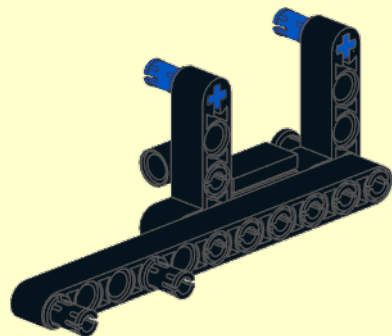
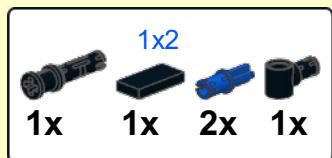
1



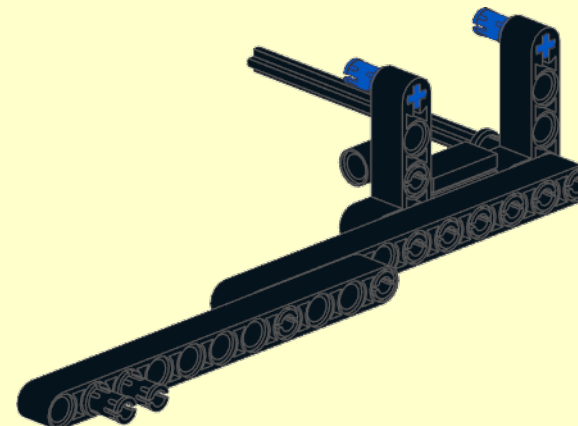
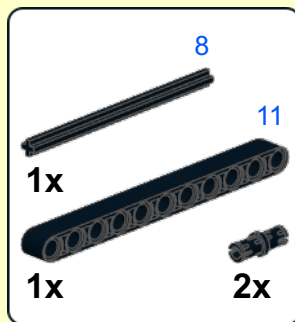
2



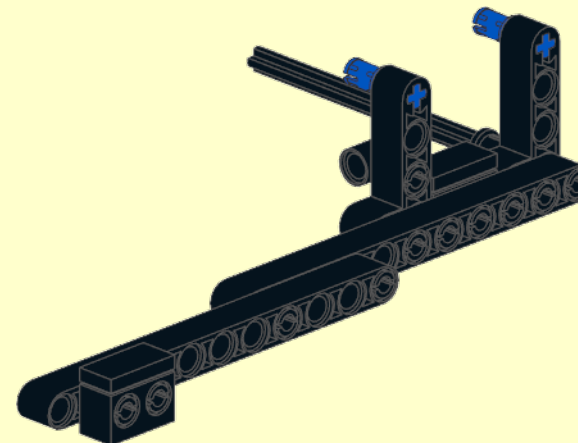
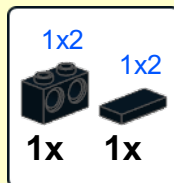
3



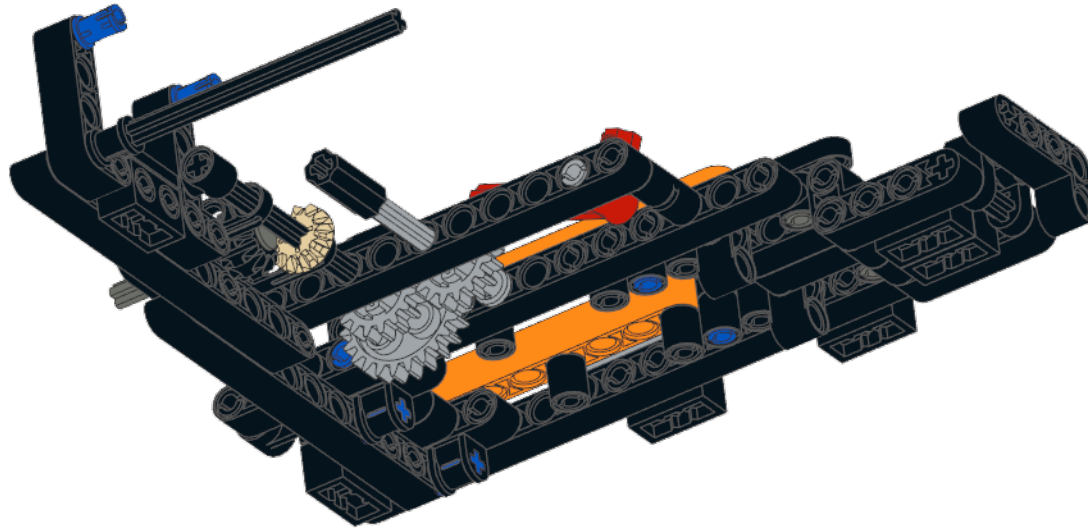
4

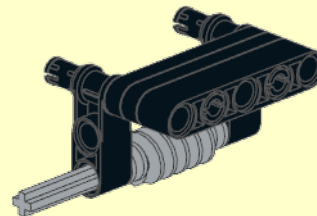
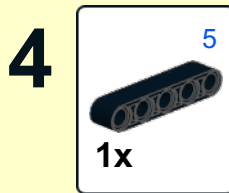
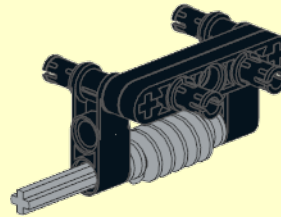
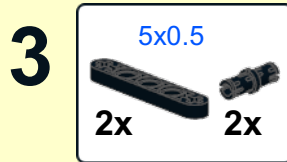
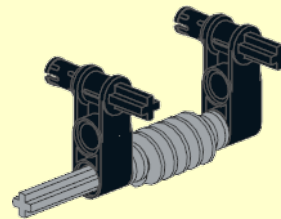
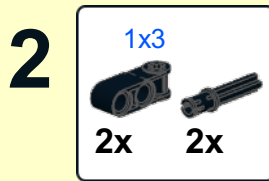
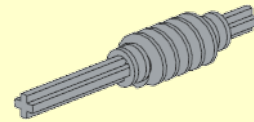
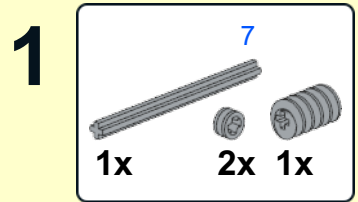


5

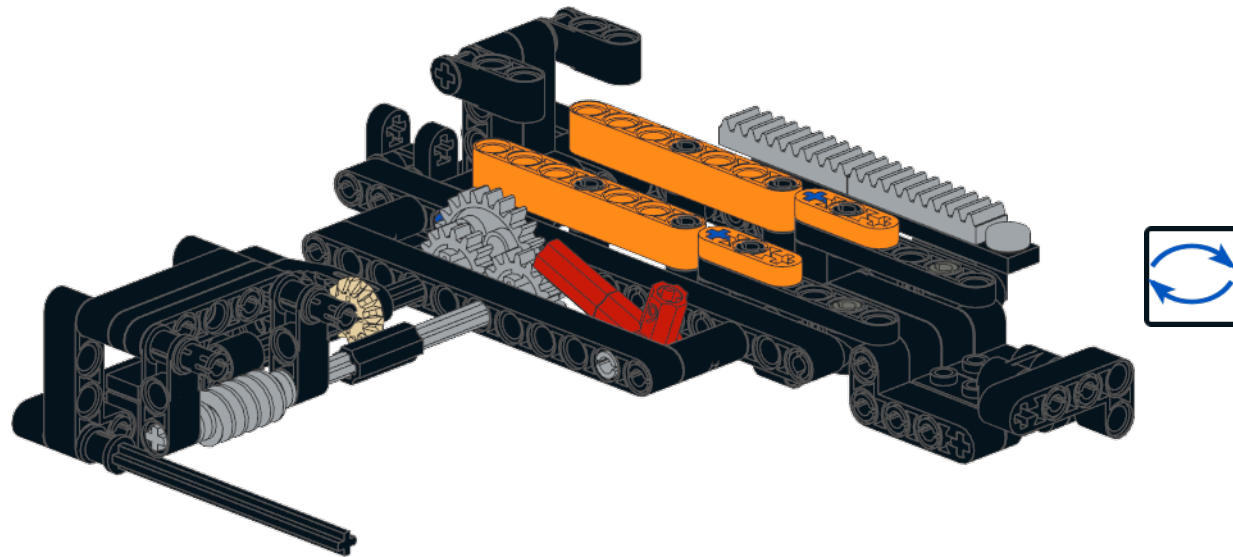


6

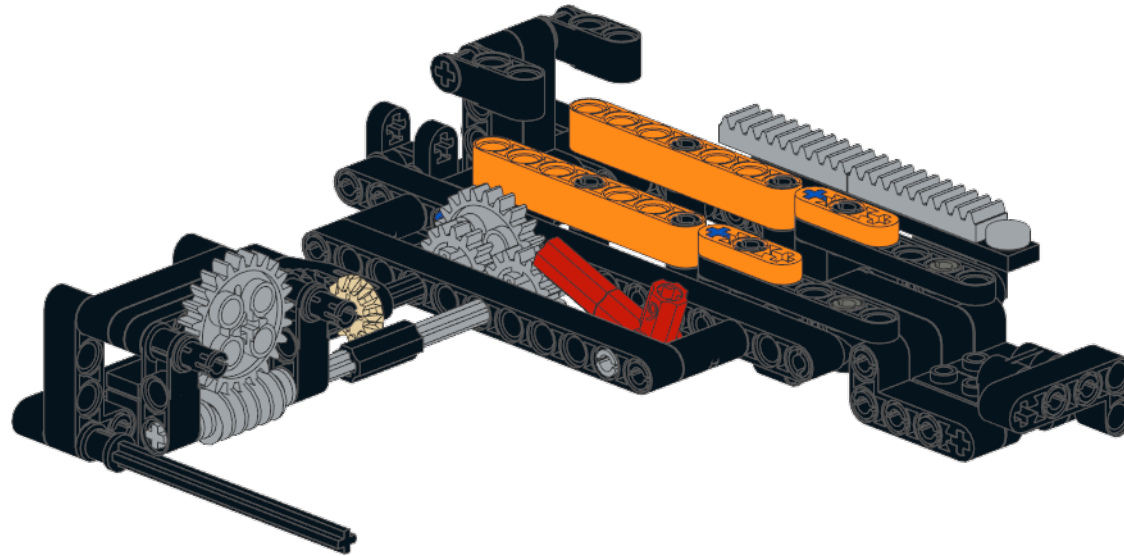
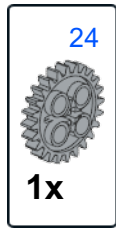


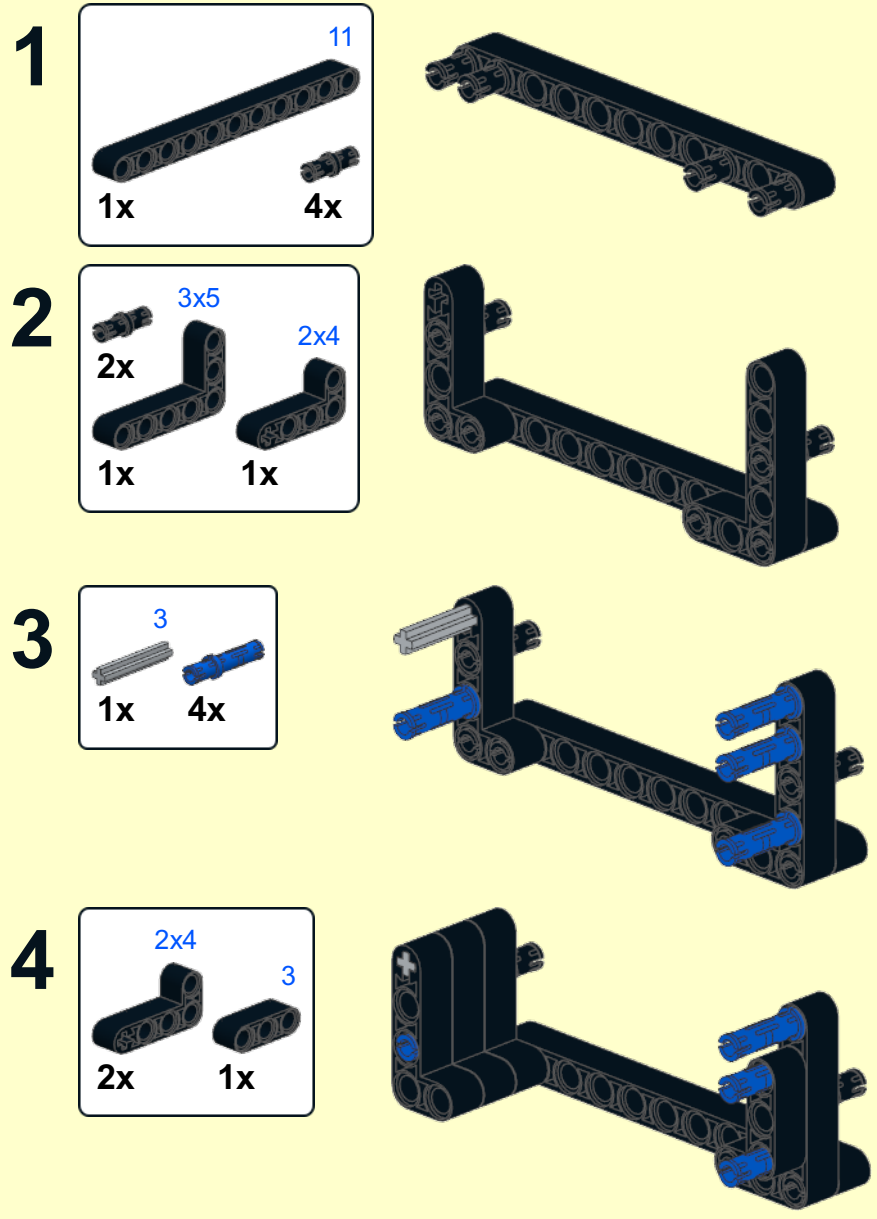


7

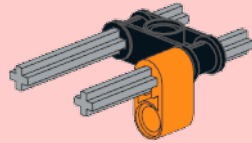
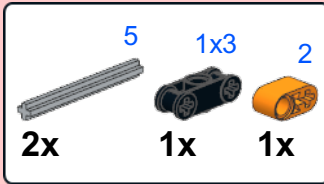


8

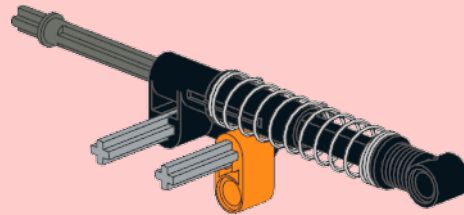




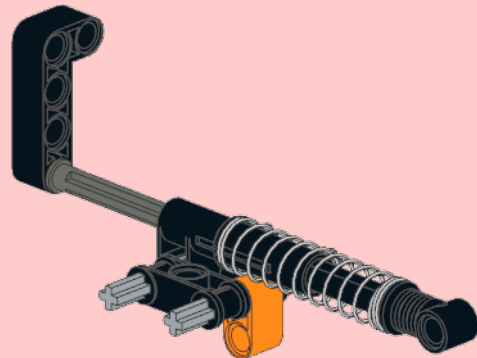
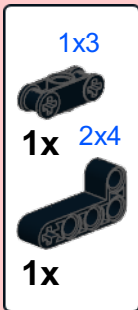
1



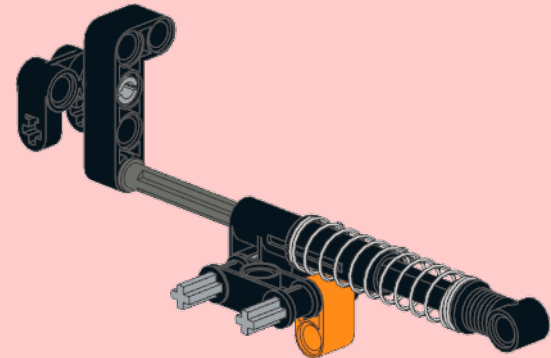
2



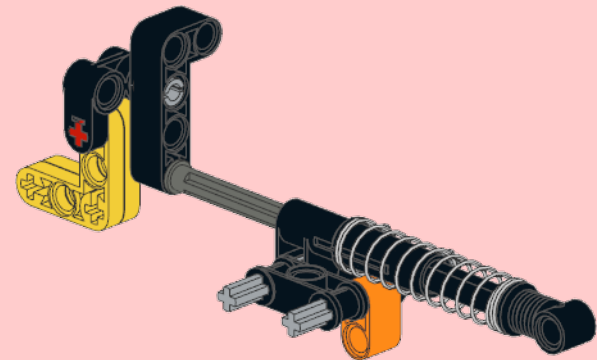
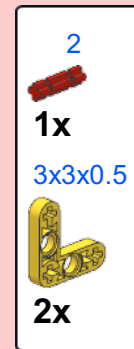
3



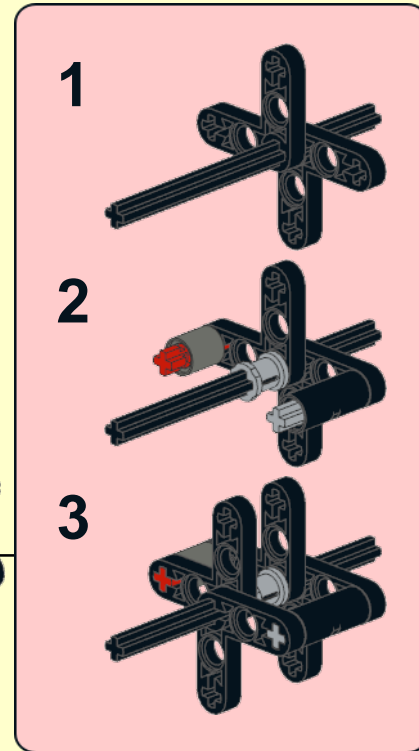
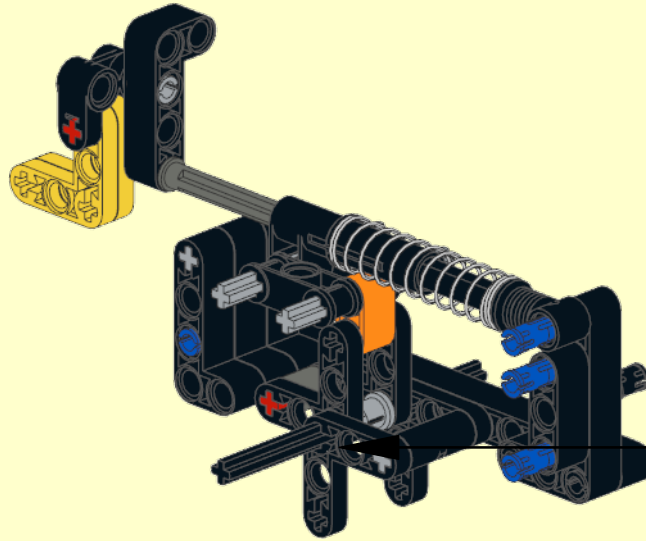
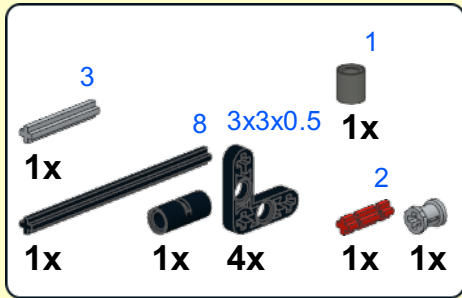
4



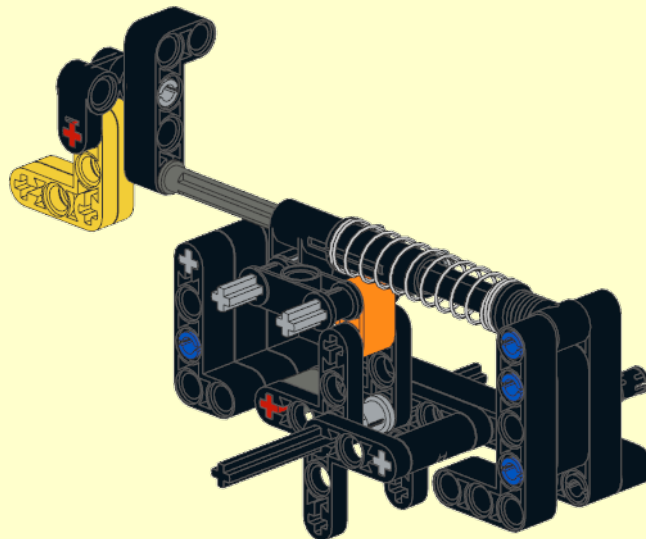
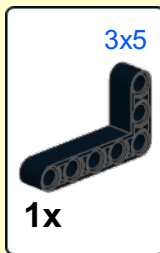
5



5

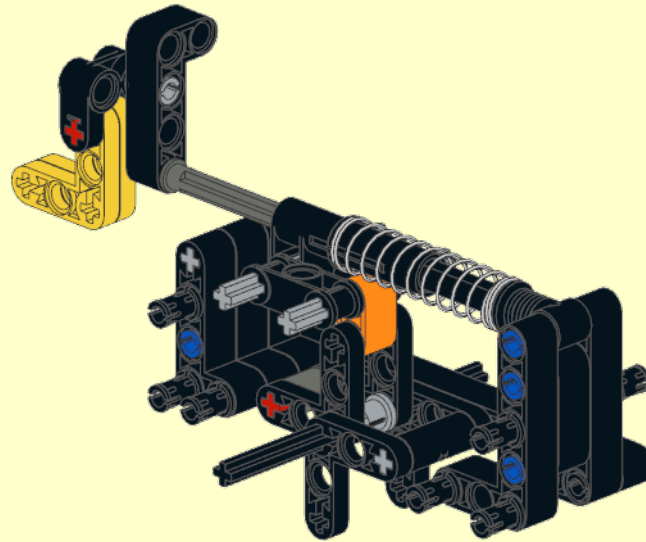


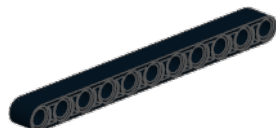
6

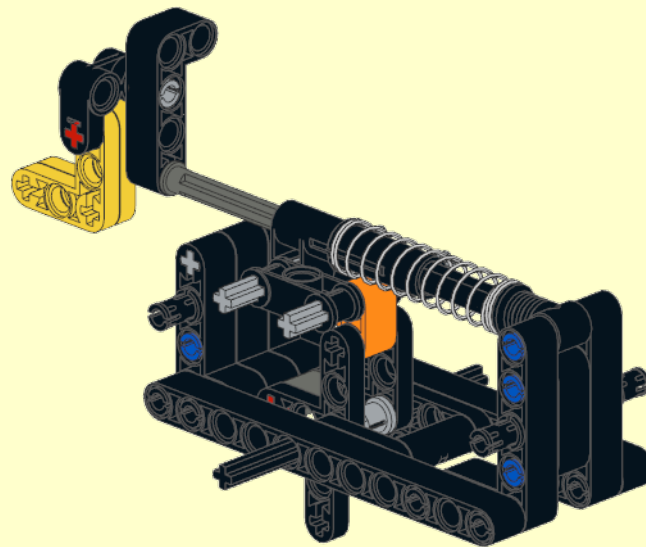




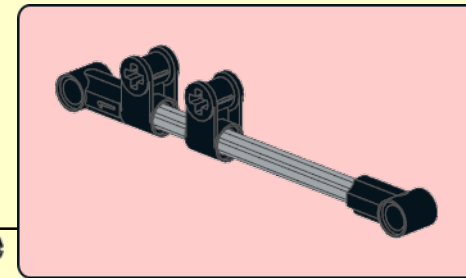
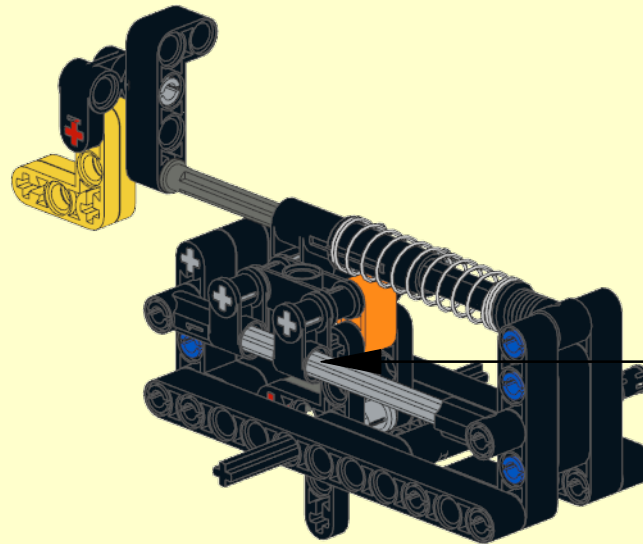
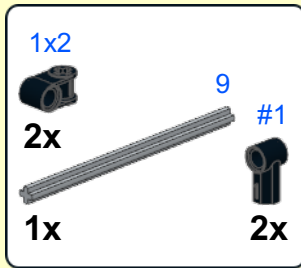
7  6x



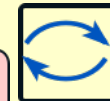
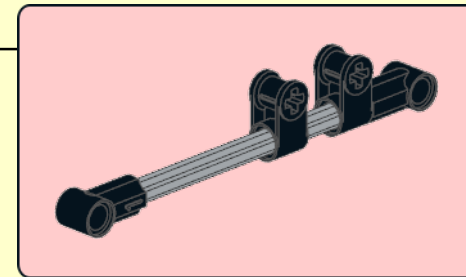
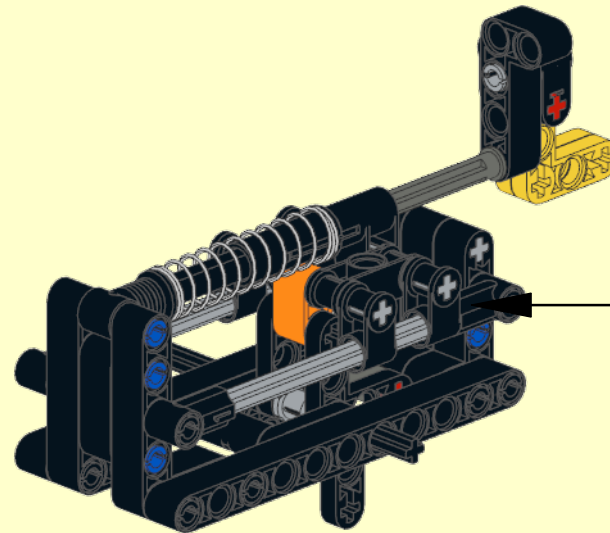
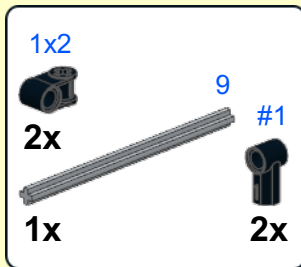
8  11 1x



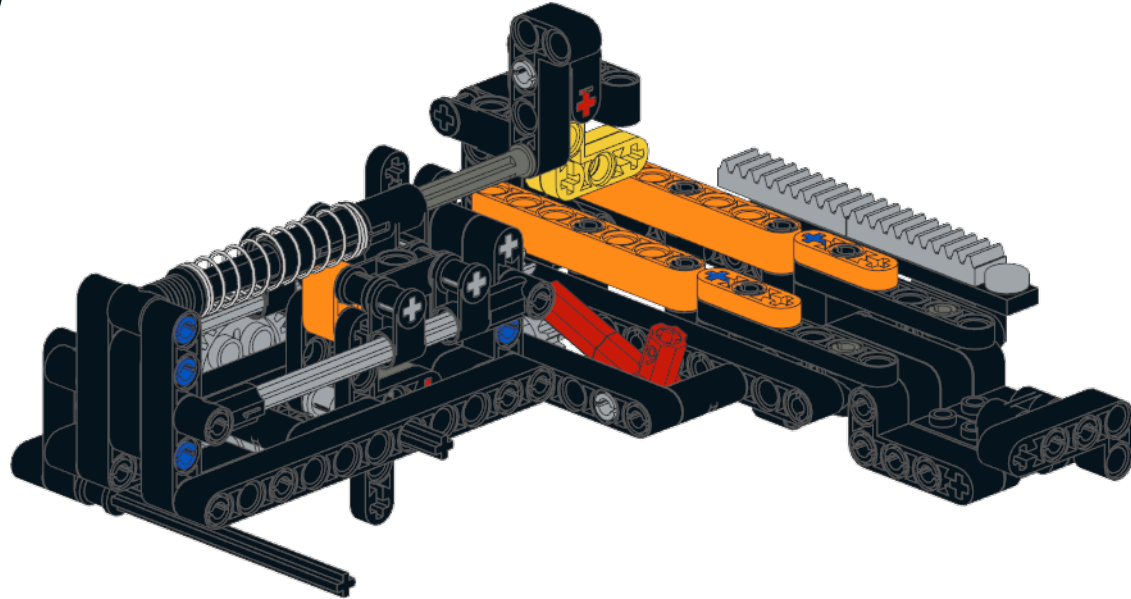
9



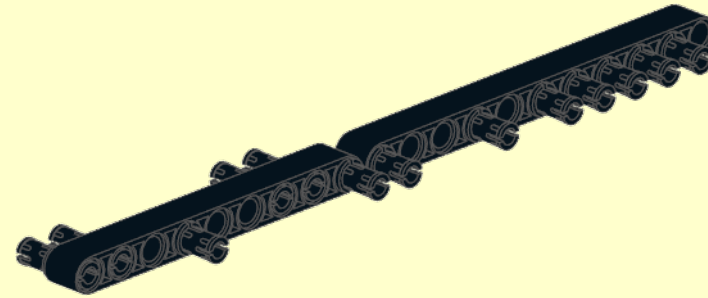
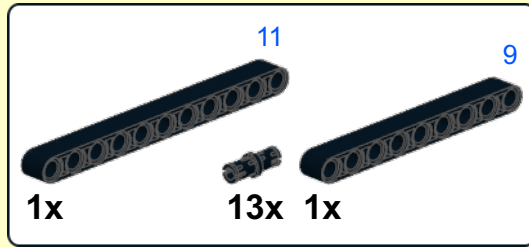
10



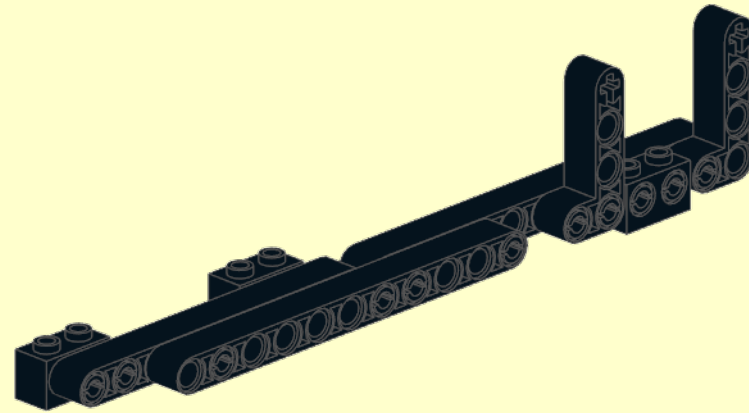
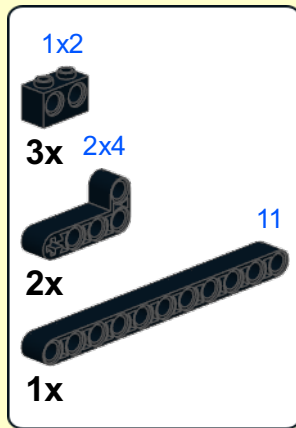
9



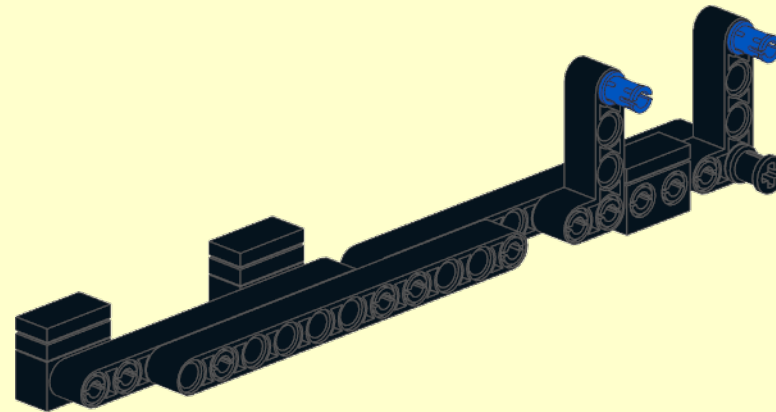
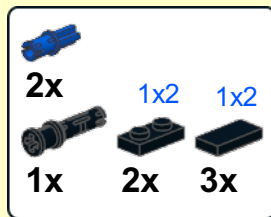
1



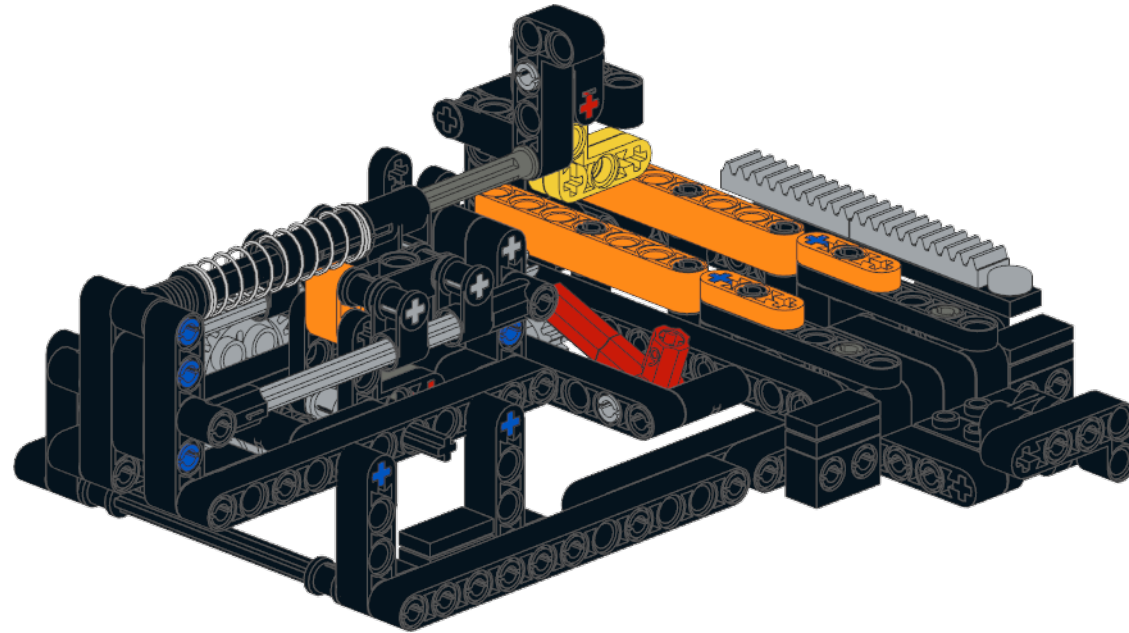
2



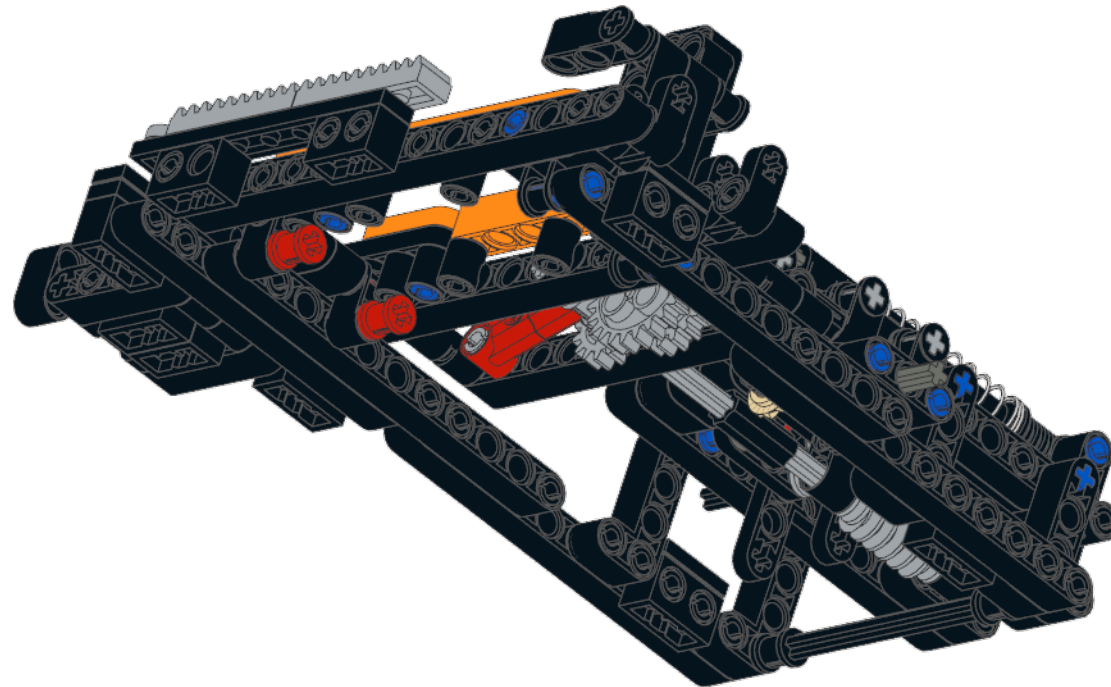
3

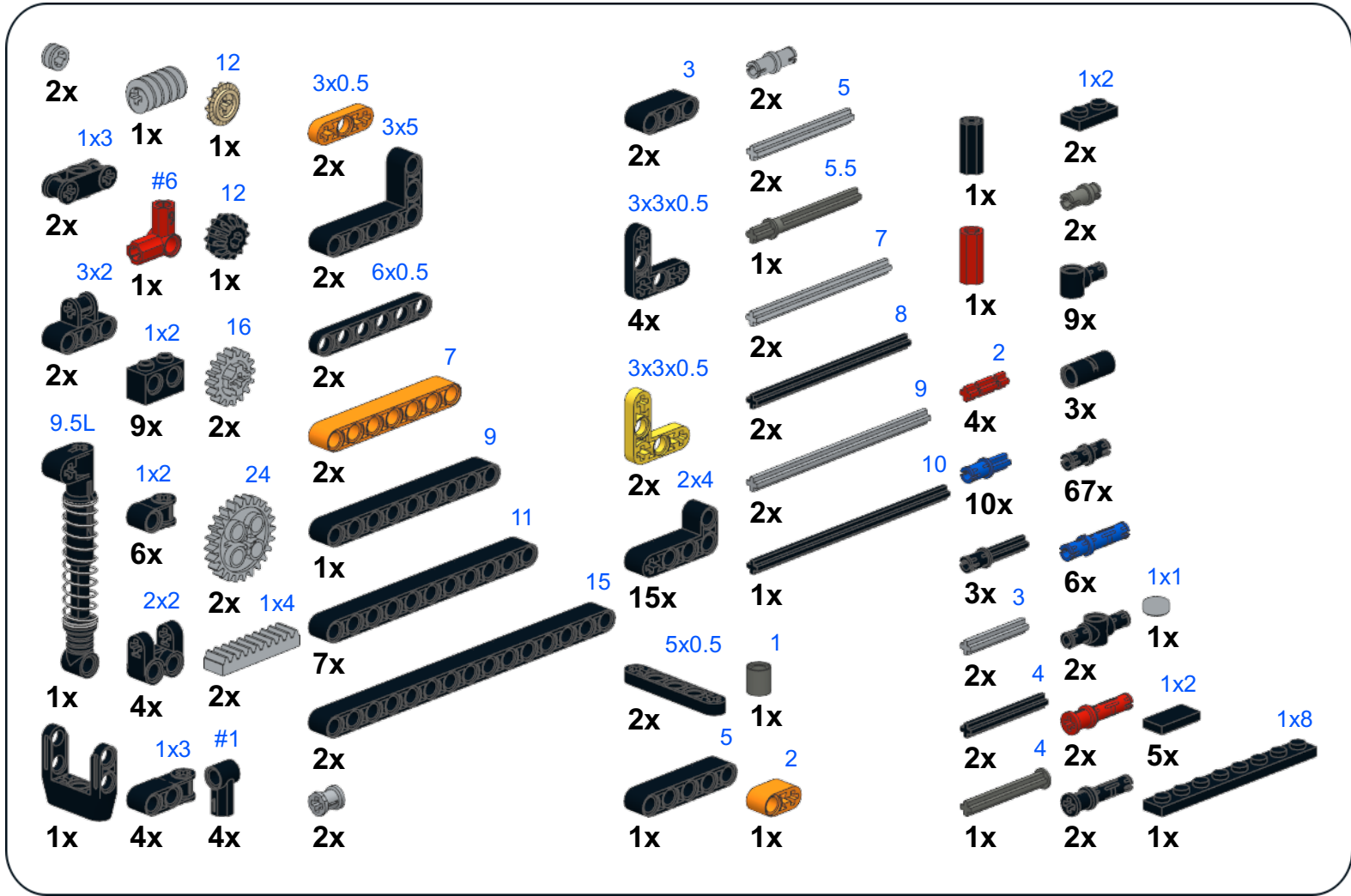


10



11





**Model design and PDF Instructions by Akiyuki.**

**Copyright © 2018 Akiyuki**

**<http://akiyuki.jp/>**

**This is a custom model using LEGO® Bricks. Not an official model of the LEGO Group.**

**LEGO® is a registered trademark of the LEGO Group,  
which does not sponsor, endorse, or authorize these  
instructions or the model.**

**The instructions were created using the LDraw System Of Tools.**

**The CAD file of the model was created using MLCAD.**

**Publishing was done using LPub3D.**