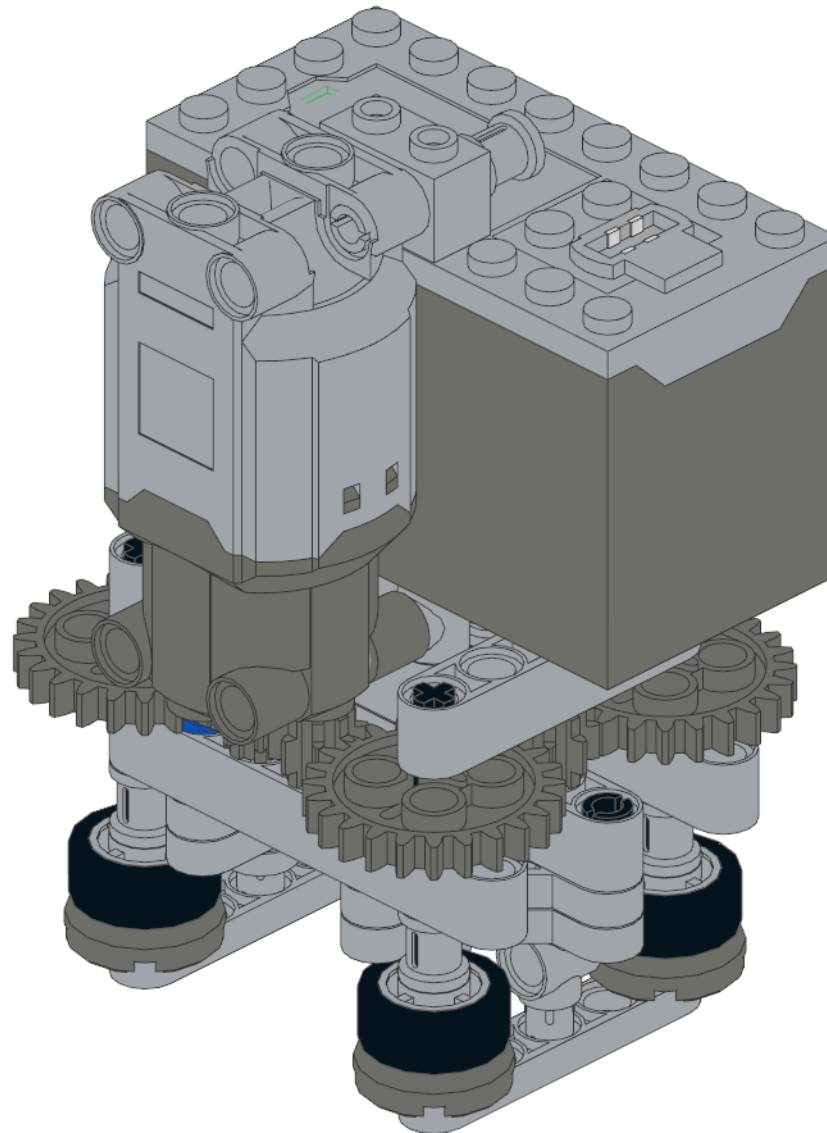


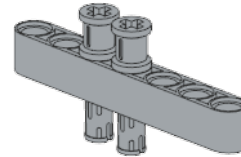
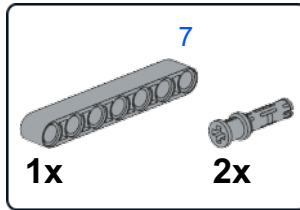
# Rail Climber Type1

Model design and instructions by Akiyuki

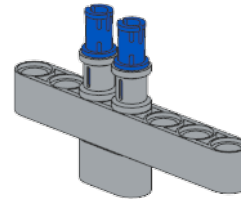
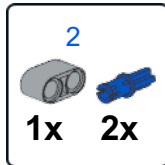
79 Pieces



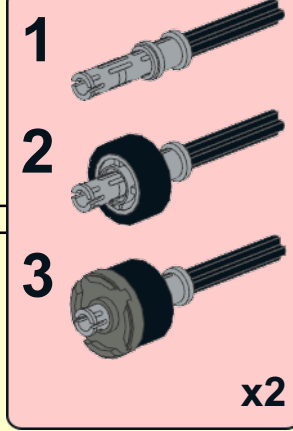
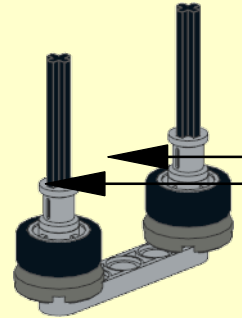
1



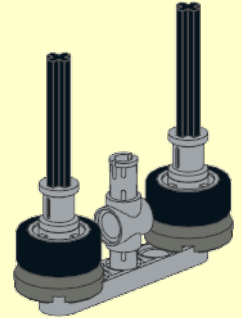
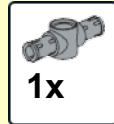
2



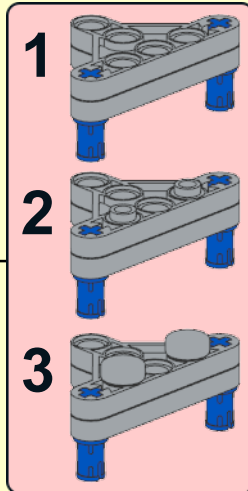
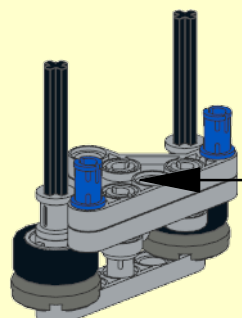
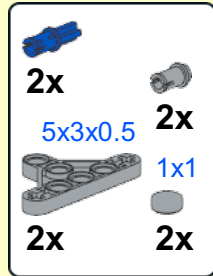
1



2

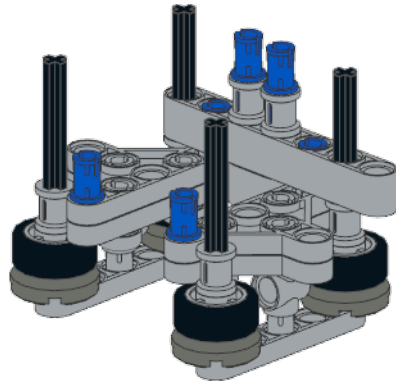


3

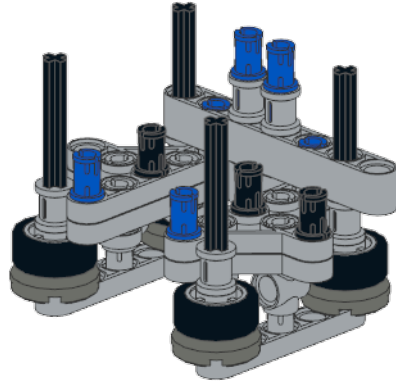


x2

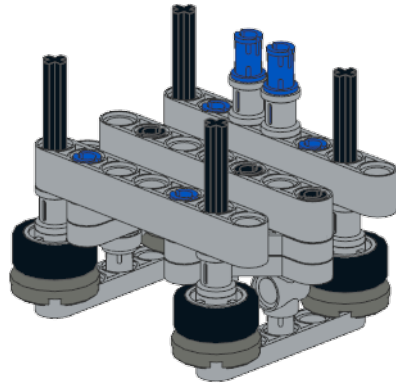
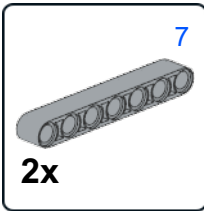
3



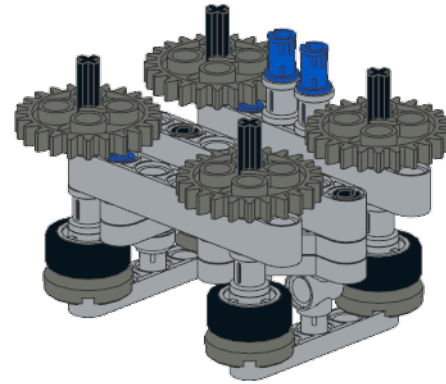
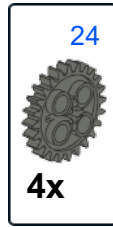
4



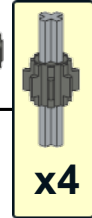
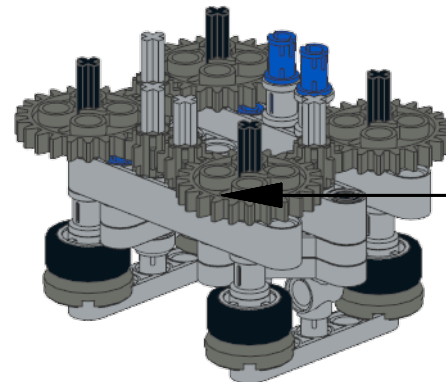
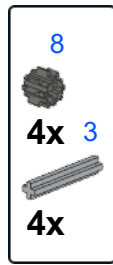
5



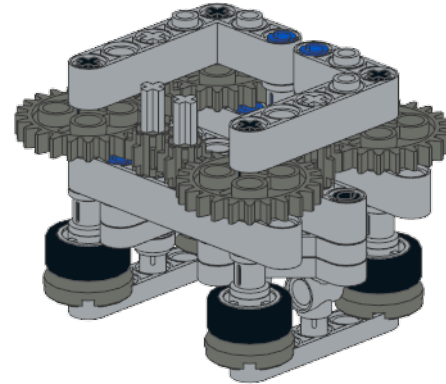
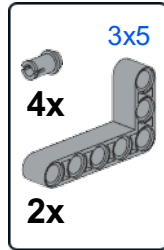
6



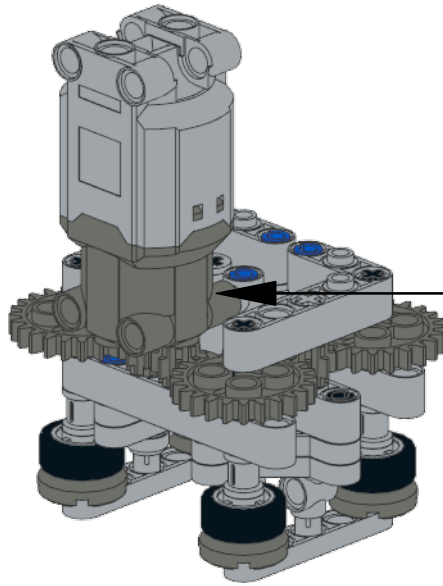
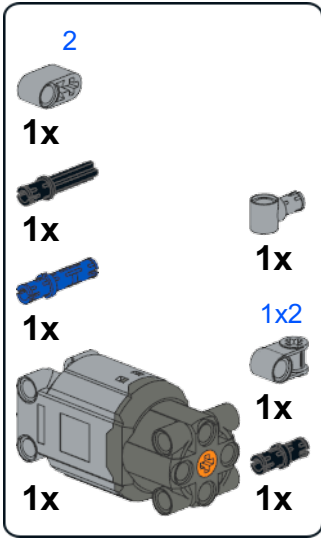
7



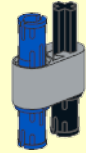
8



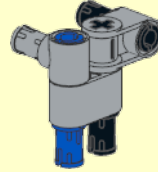
9



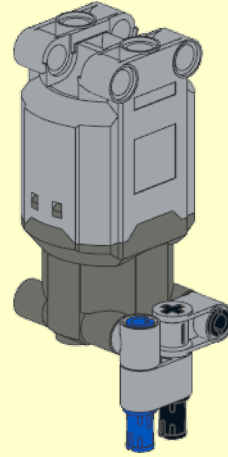
1



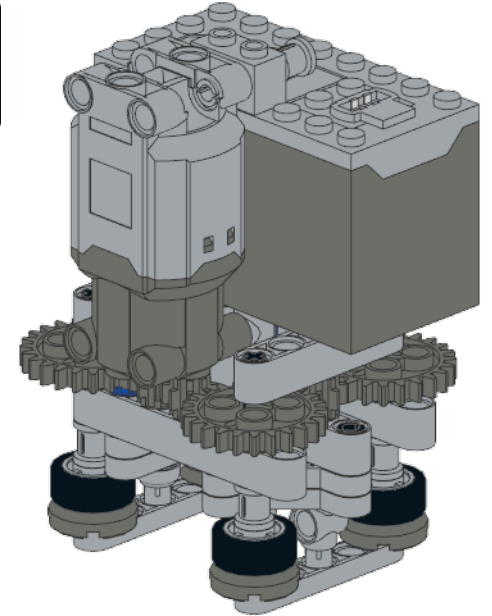
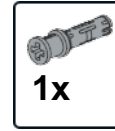
2



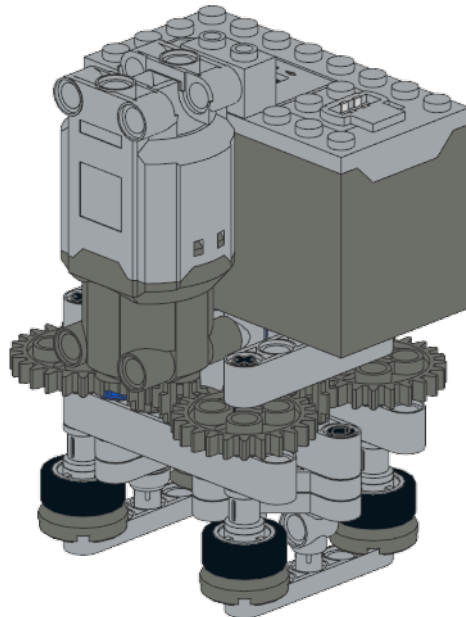
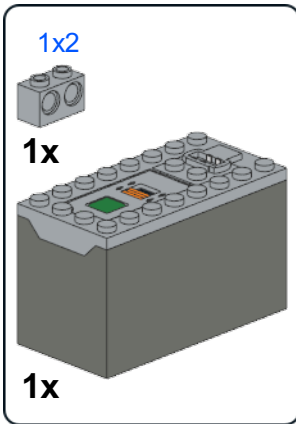
3

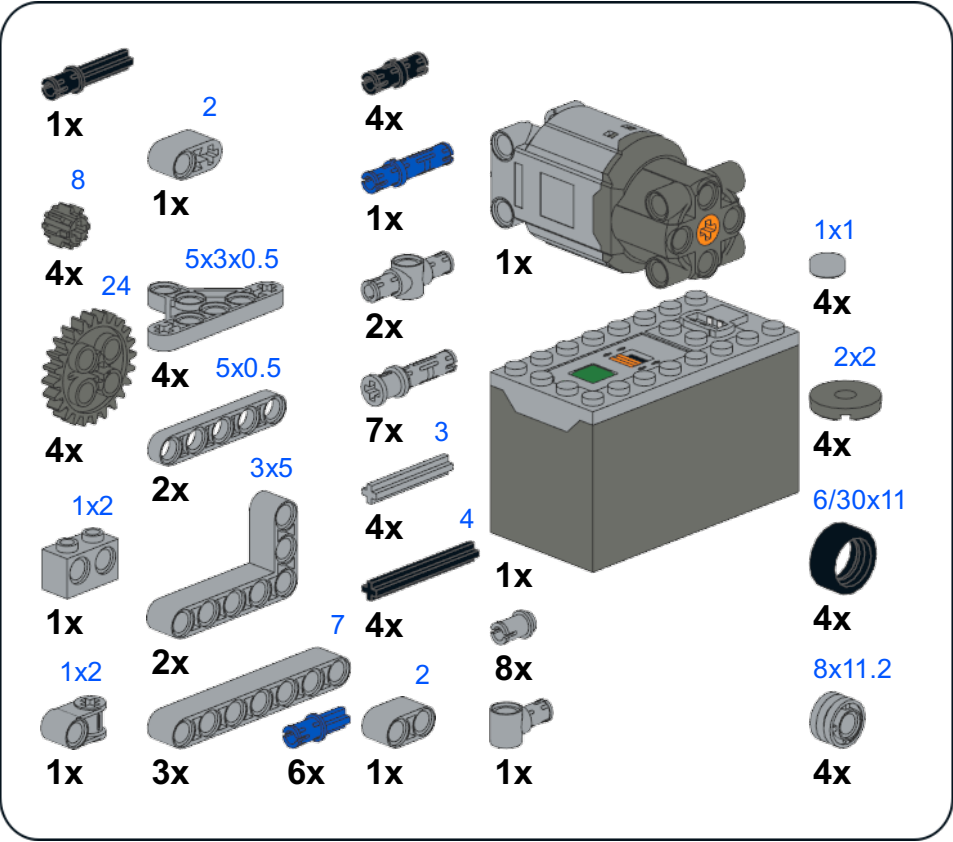


11



10





**Model design and PDF Instructions by Akiyuki**  
**Copyright © 2018 Akiyuki**  
**<http://akiyuki.jp/>**

**This is a custom model using LEGO® Bricks. Not an official model of the LEGO Group.**  
**LEGO® is a registered trademark of the LEGO Group,**  
**which does not sponsor, endorse, or authorize these**  
**instructions or the model.**

**The instructions were created using the LDraw System Of Tools.**  
**The CAD file of the model was created using MLCAD.**  
**Publishing was done using LPub3D.**