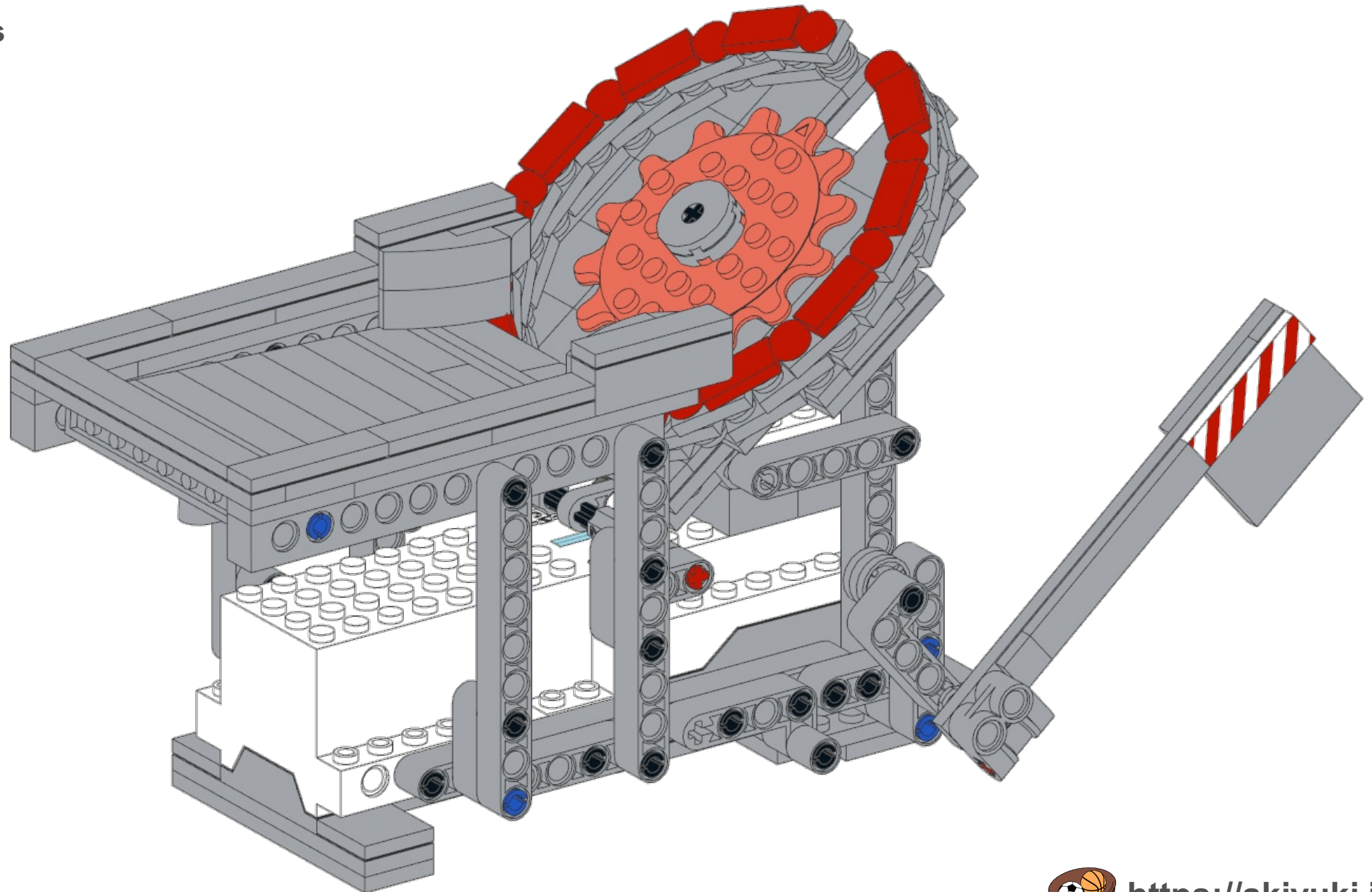


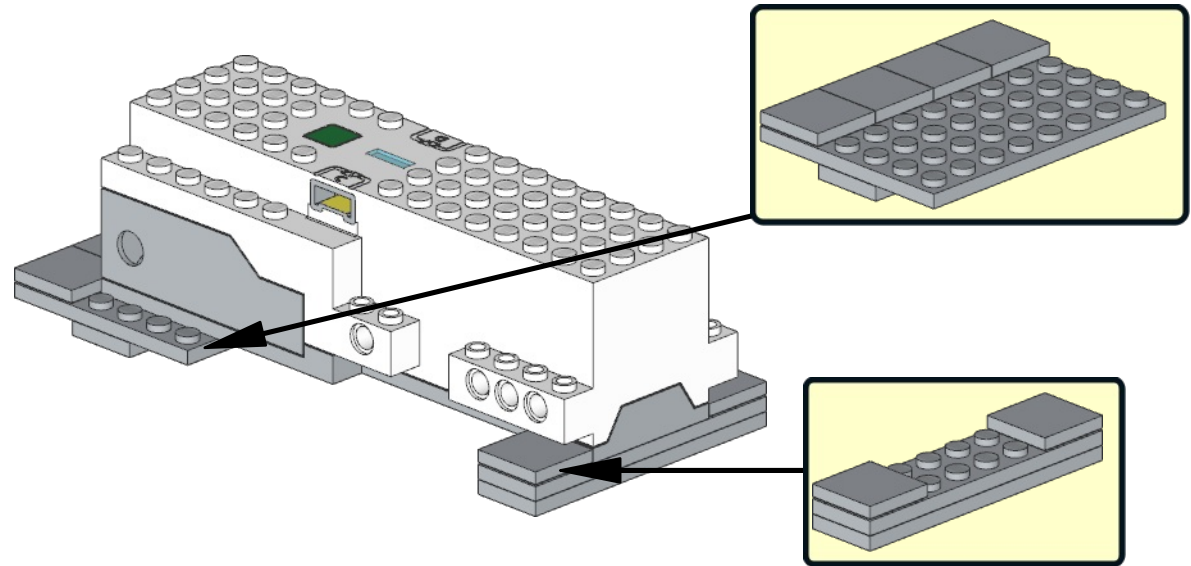
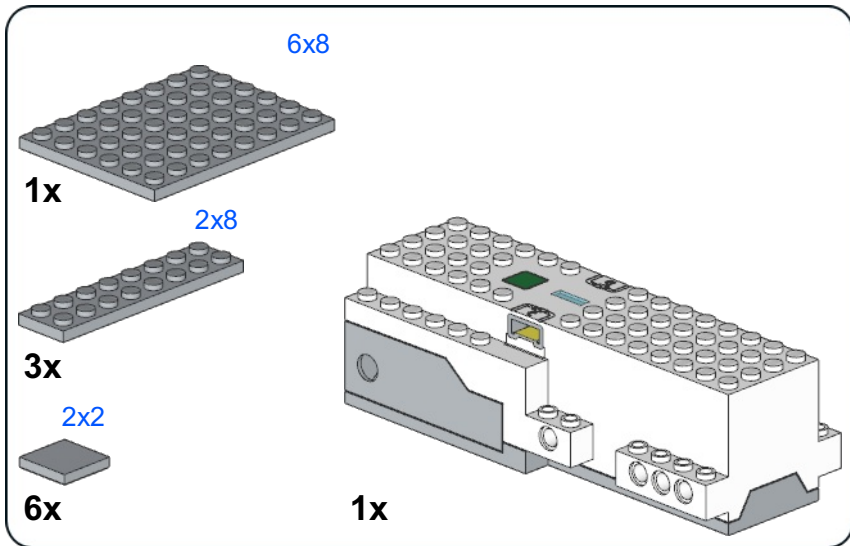
Loader: Cars with ACC

Model design and instructions by Akiyuki

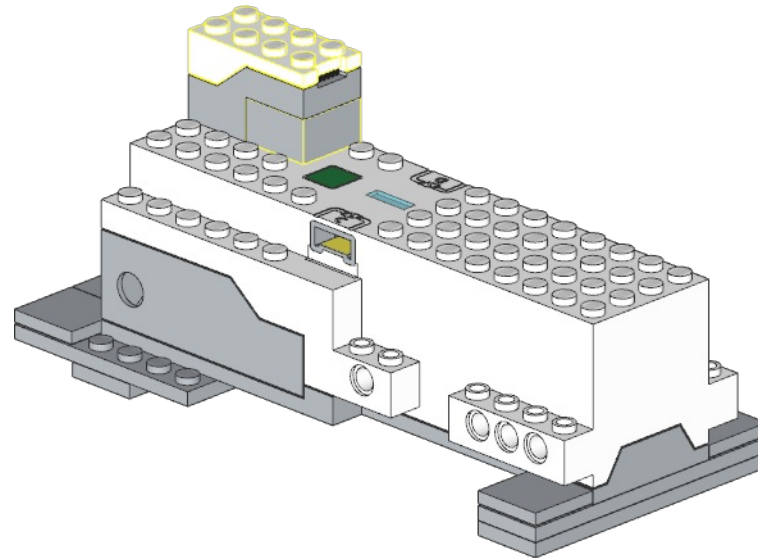
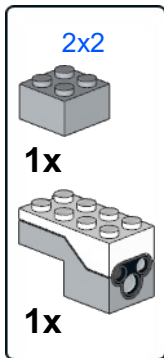
306 Parts



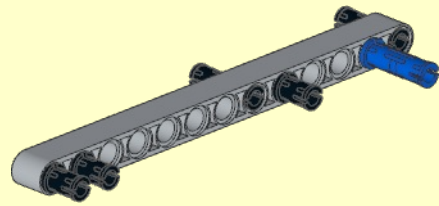
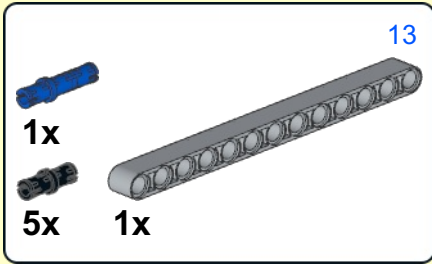
1



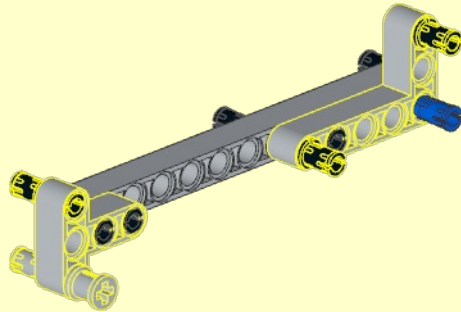
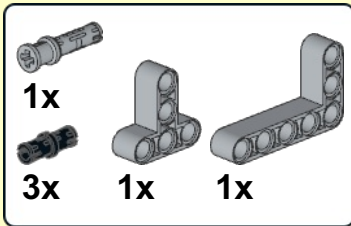
2



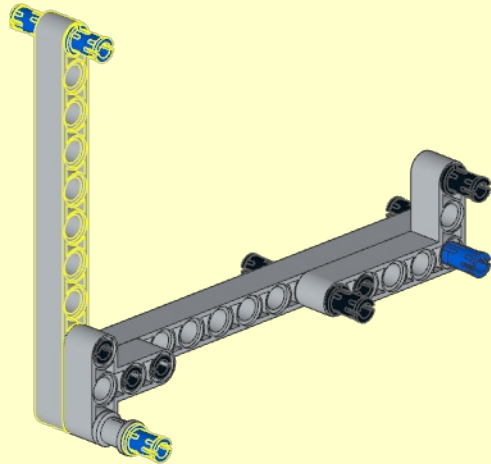
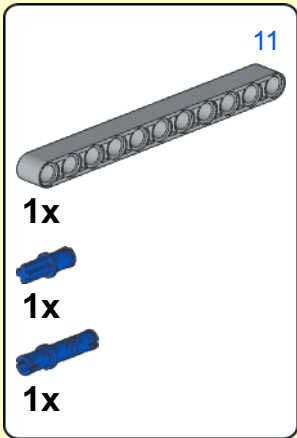
1



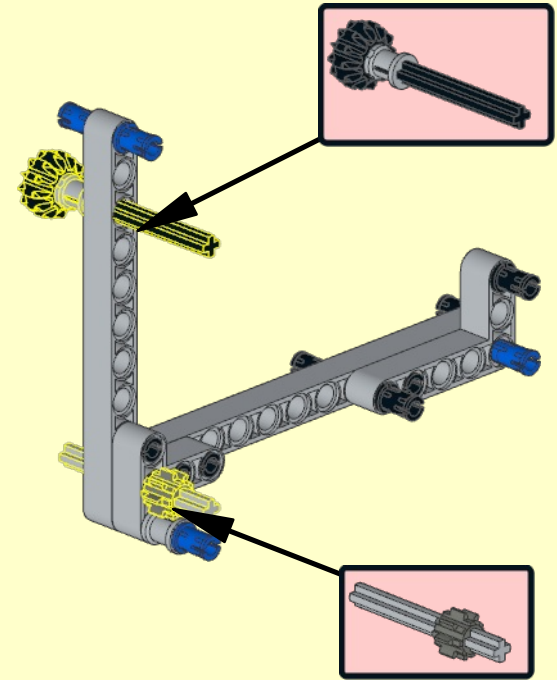
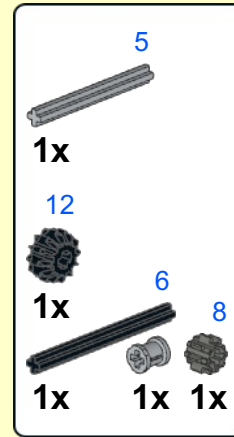
2



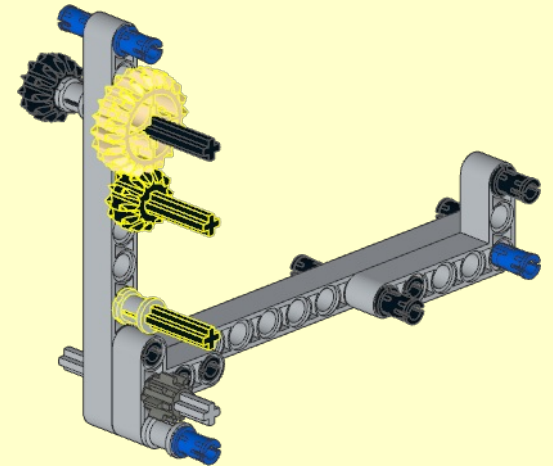
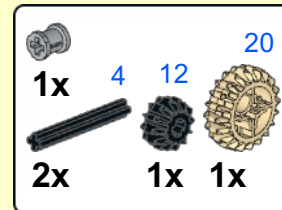
3



4

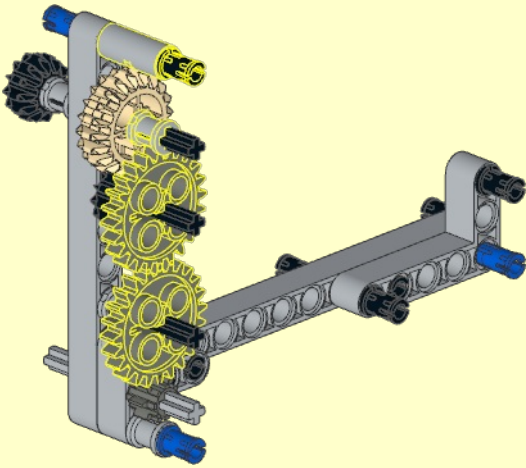


5

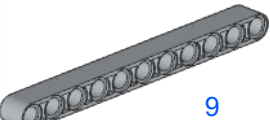
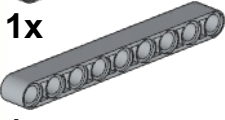


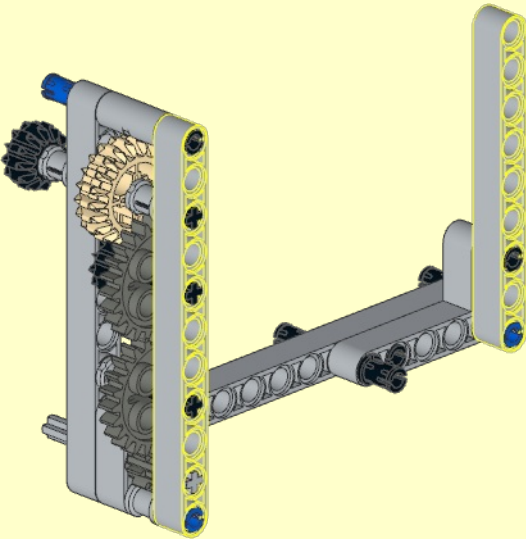
6

- 1x 
- 1x  24
- 1x  2x
- 1x 







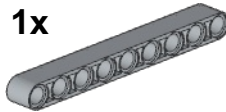
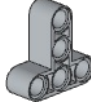


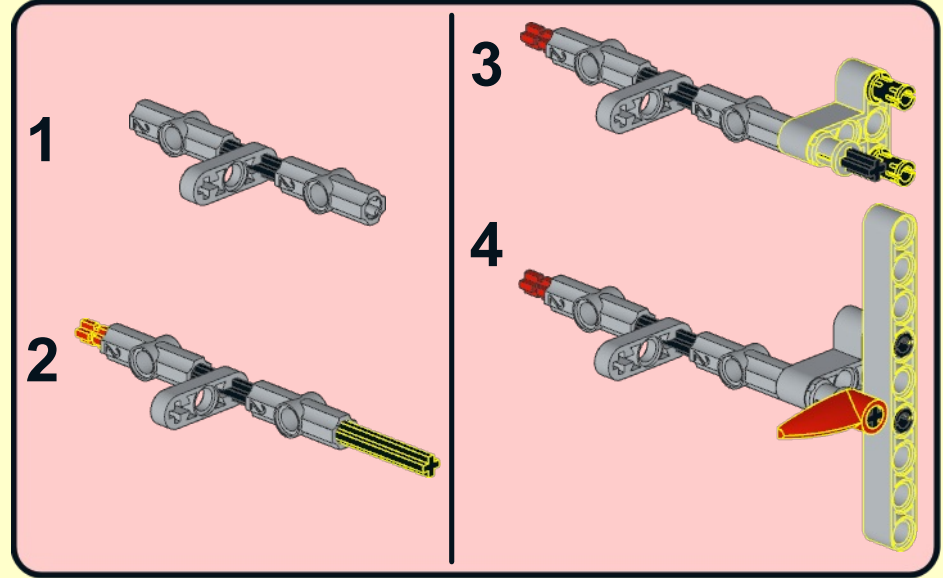
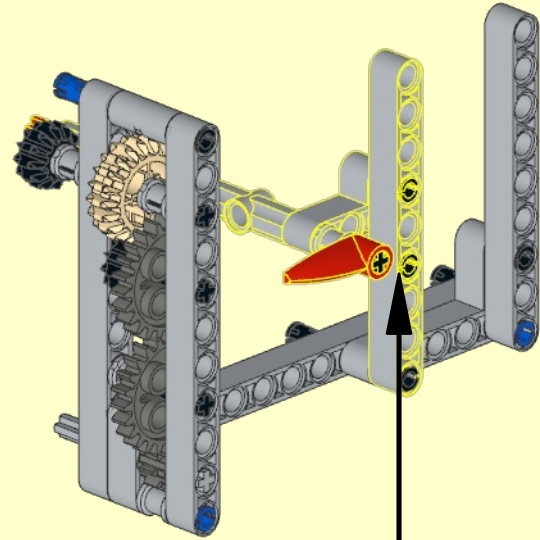
7

- 1x  11
- 1x  9

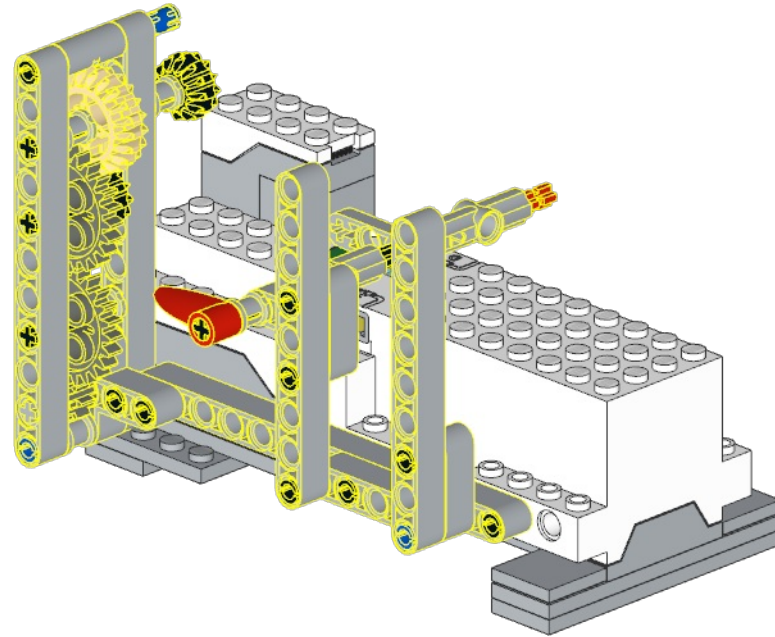


8

- 1x  #2
- 1x  2x
- 1x  2
- 1x  4
- 2x  1x
- 2x  1x
- 1x  9
- 1x 



3



1

Technic Plate
2 x 8 with 7 Holes

2x8

4x8

1x

1x8

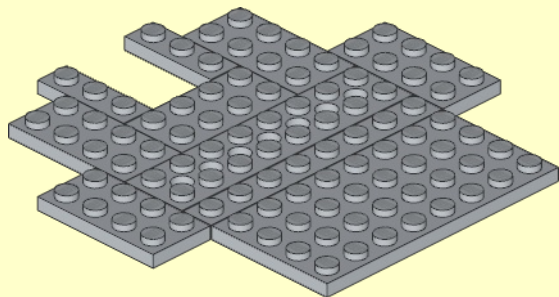
1x

2x4

5x

1x3

2x



2

1x2

1x3

1x1

3x

3x

5x

2x2

2x2

2x2

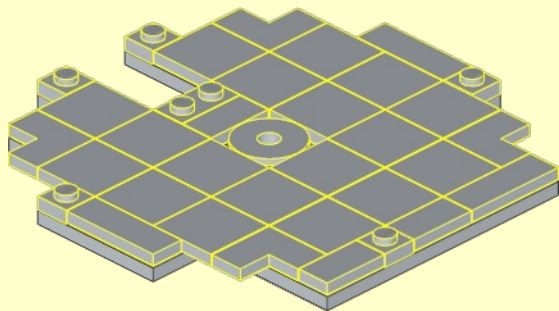
1x2

1x

4x

18x

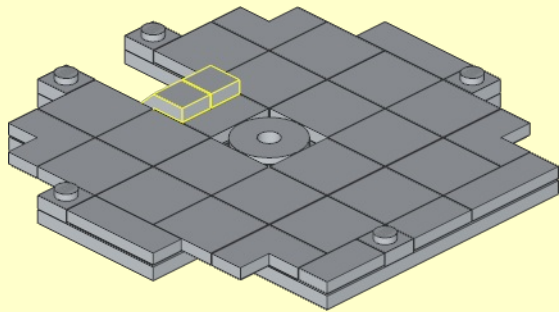
1x







3

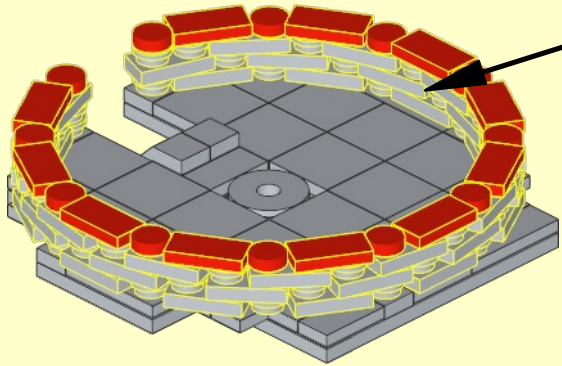
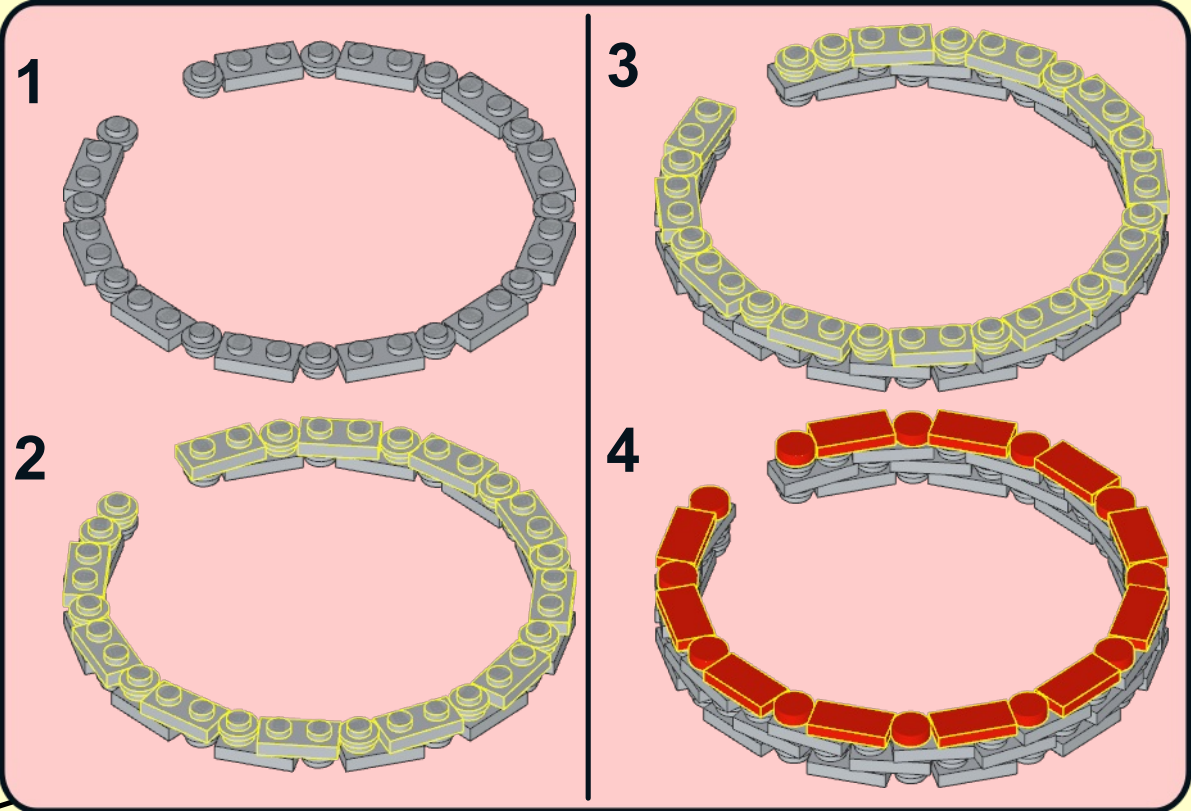
452x1

2x

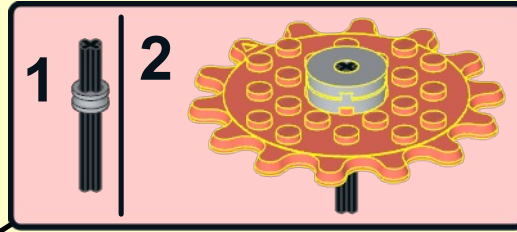
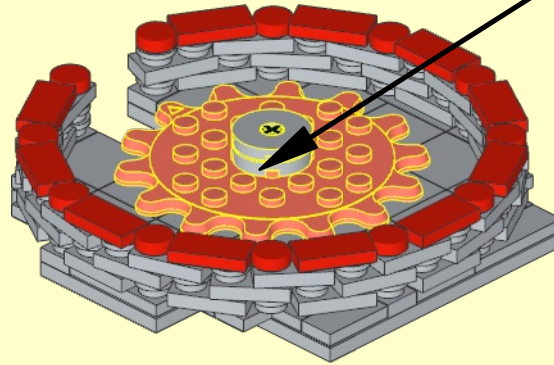
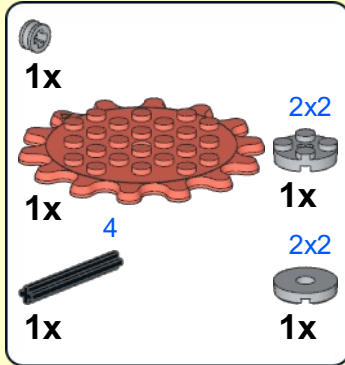


4

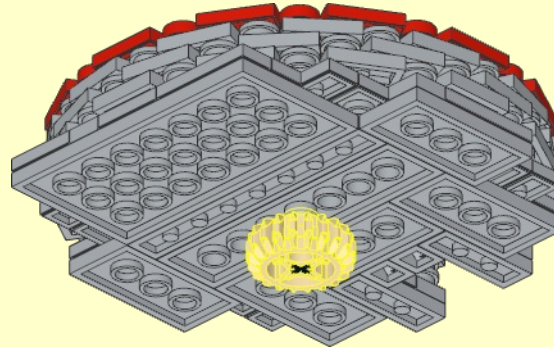
1x2	1x2
	
11x	33x
1x1	1x1
	
12x	36x



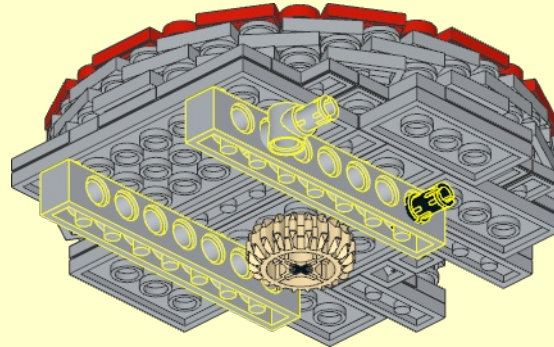
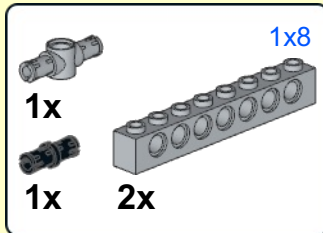
5

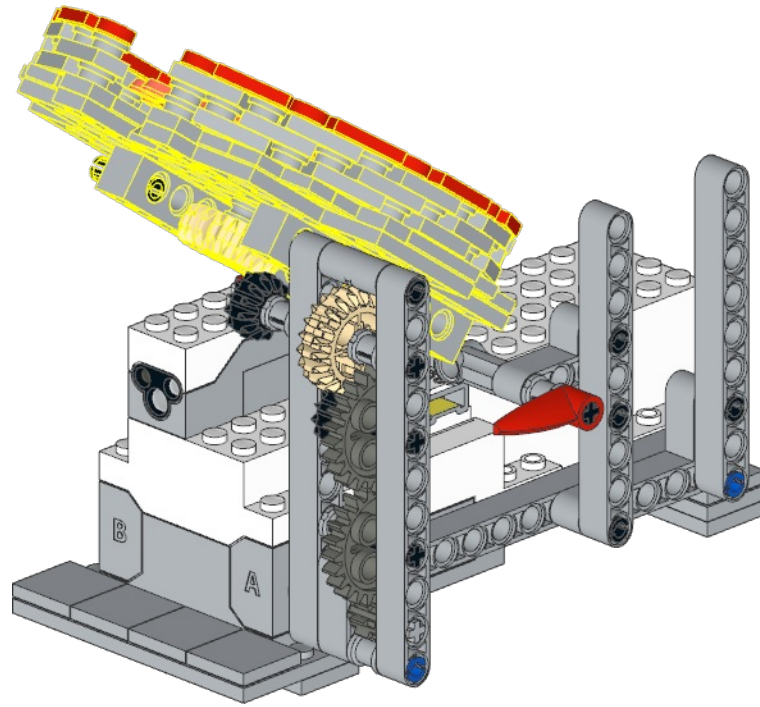


6

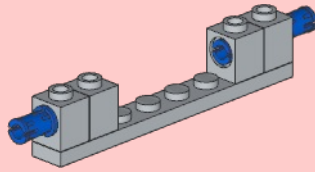
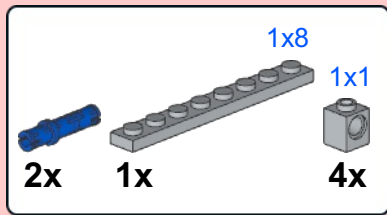


7

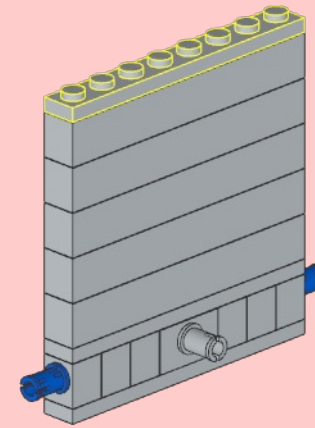
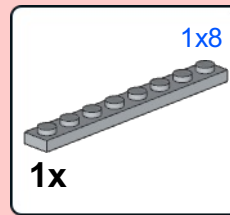




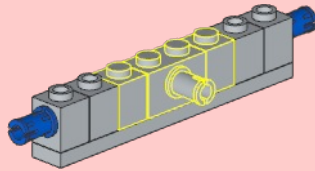
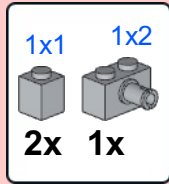
1



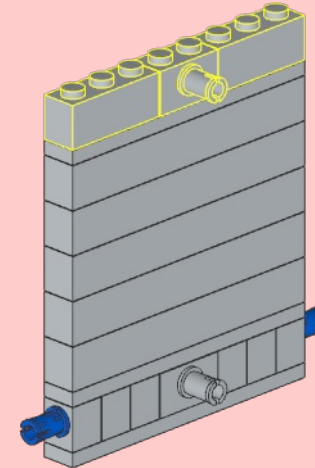
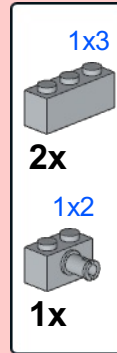
5



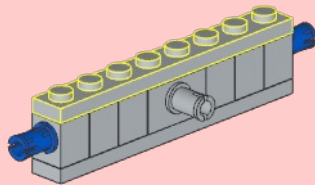
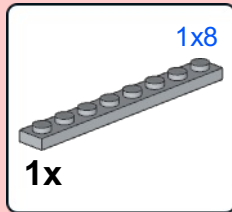
2



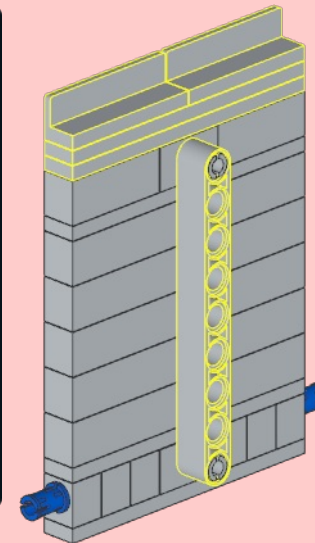
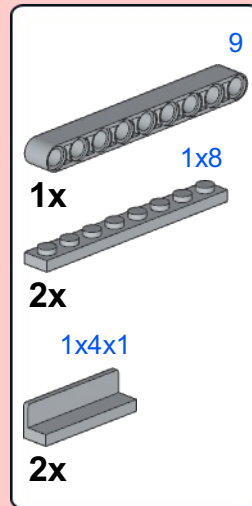
6



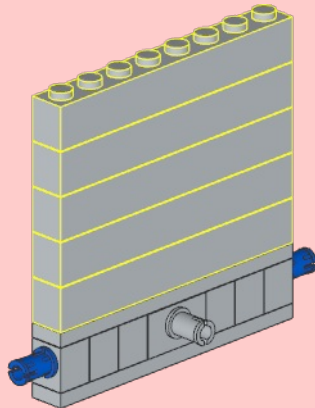
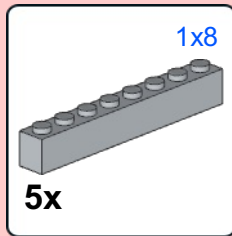
3



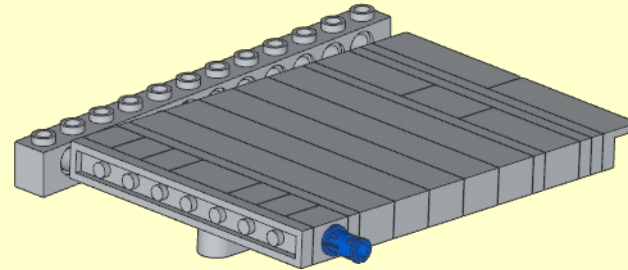
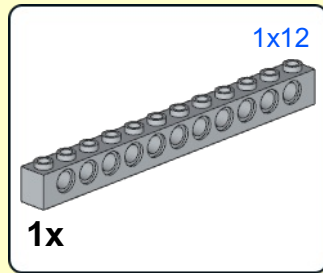
7



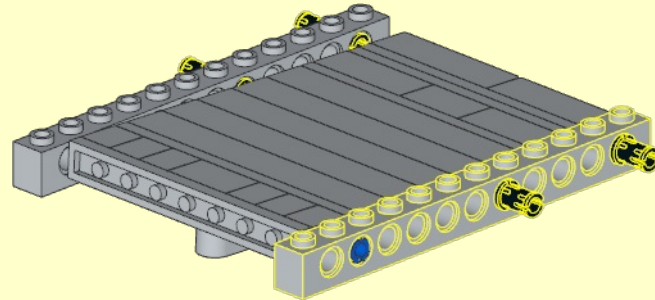
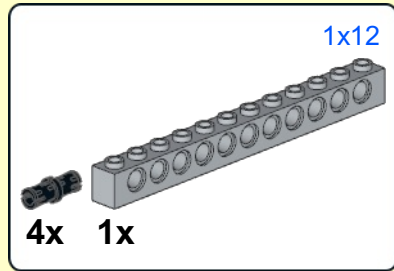
4



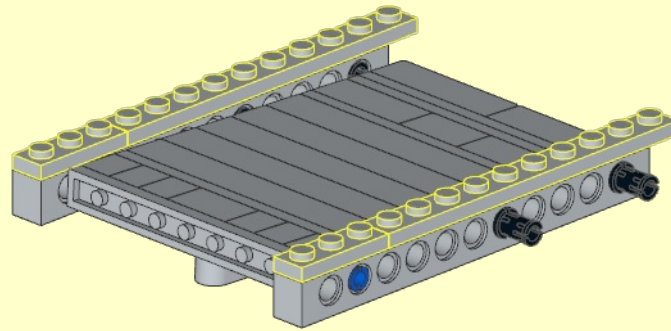
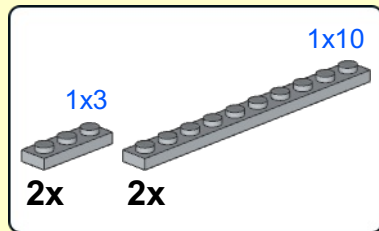
1



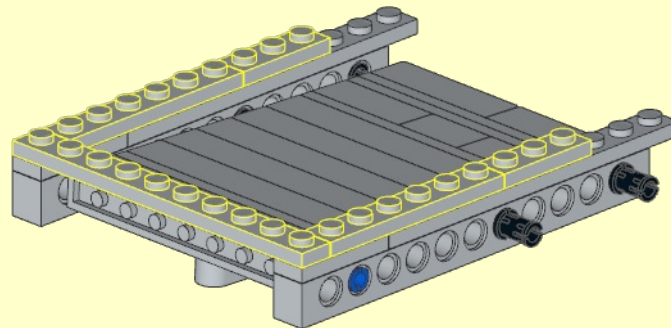
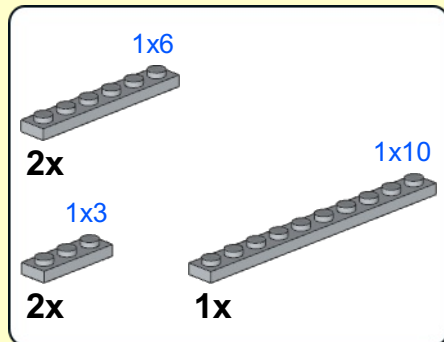
2



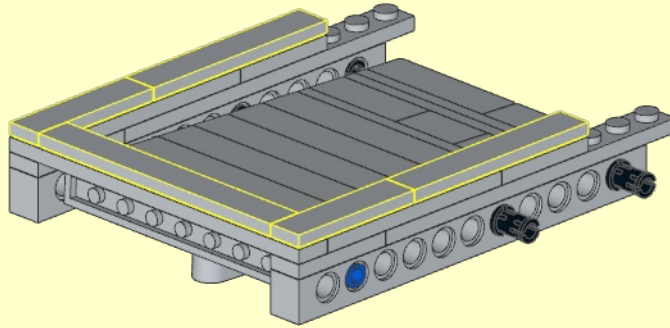
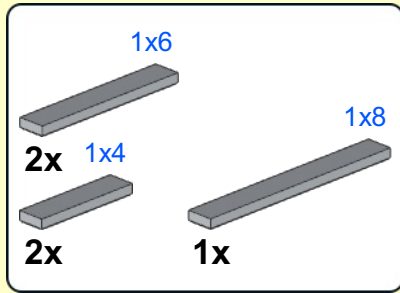
3



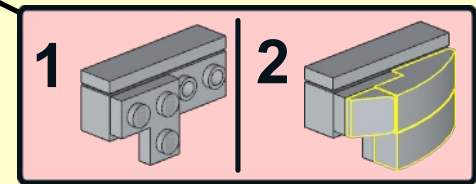
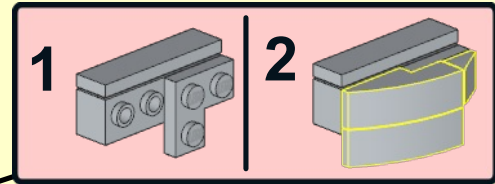
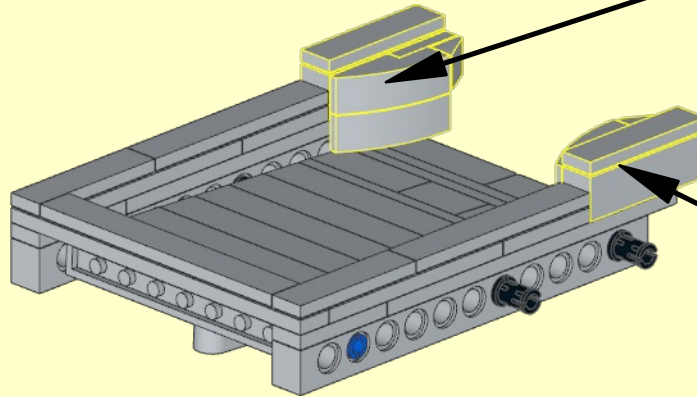
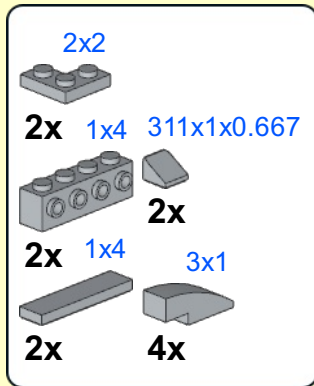
4



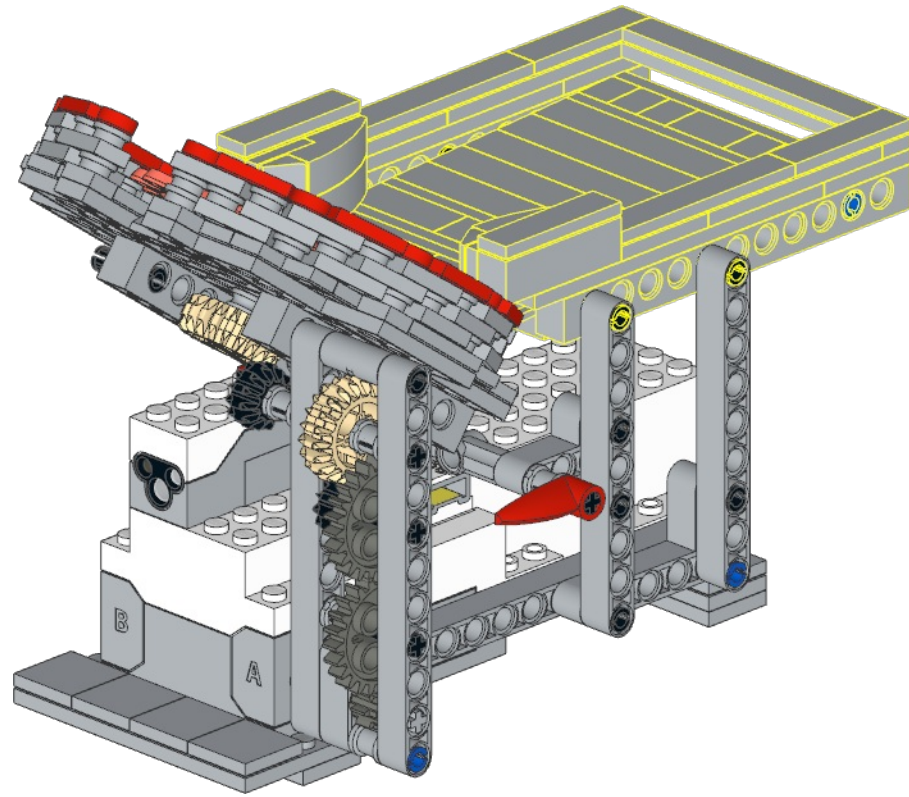
5



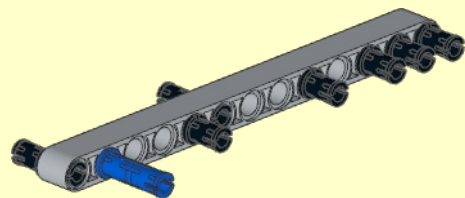
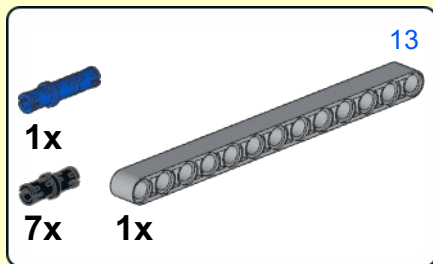
6



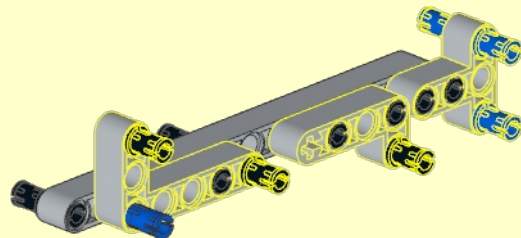
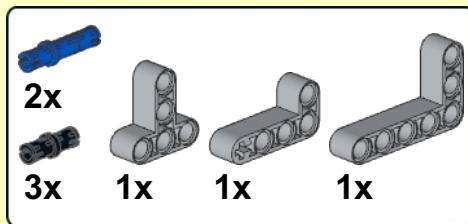
5



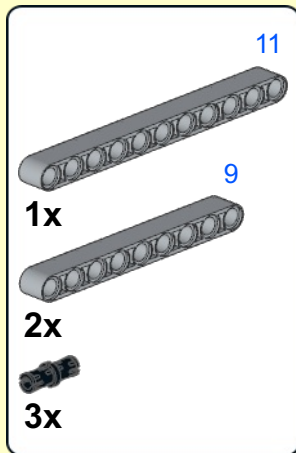
1



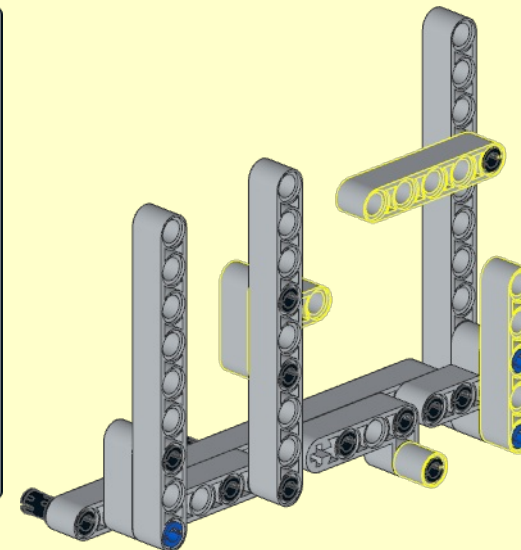
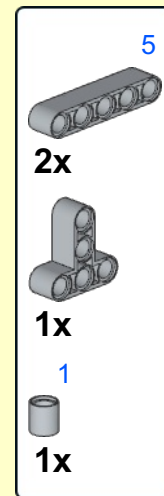
2



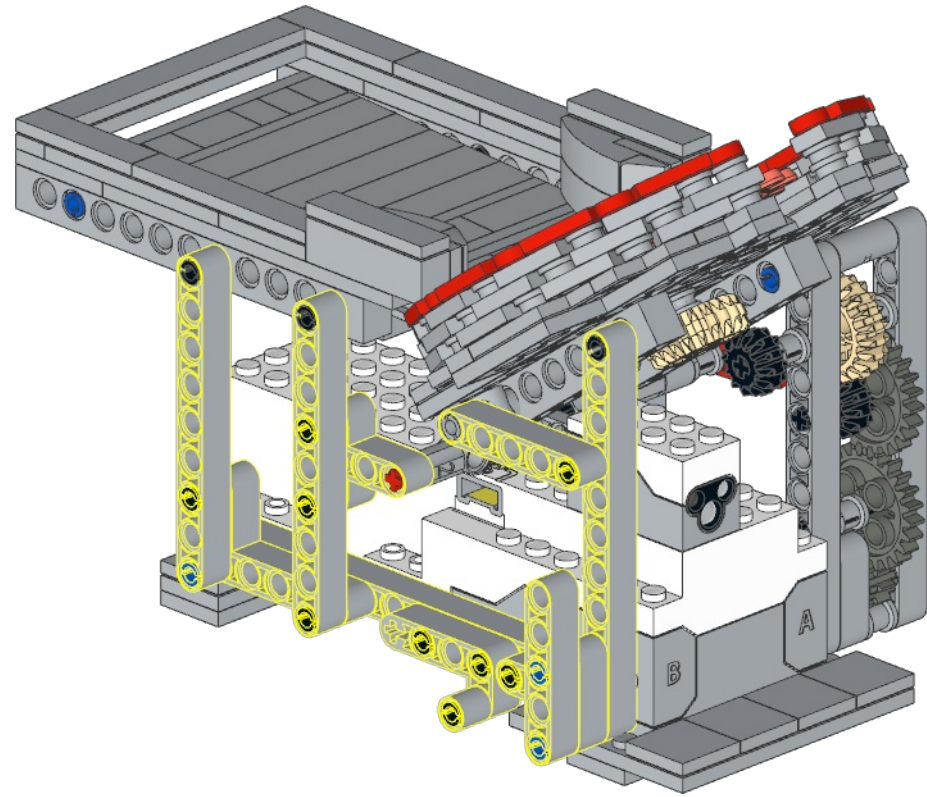
3

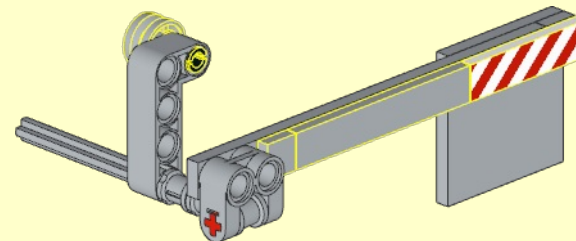
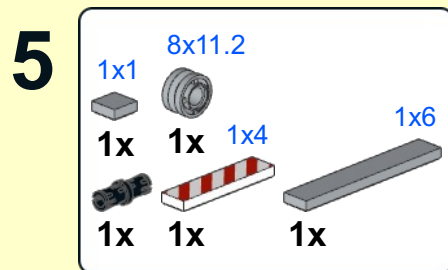
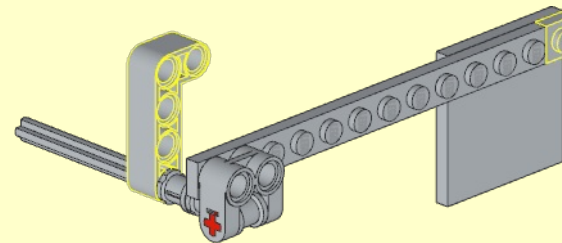
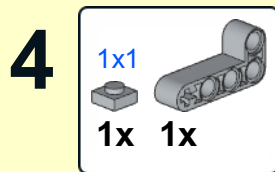
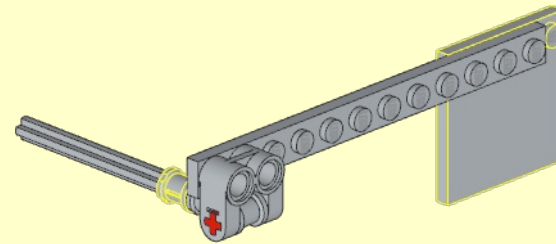
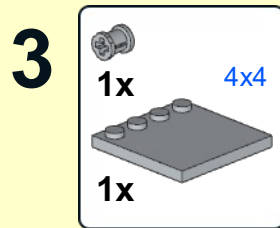
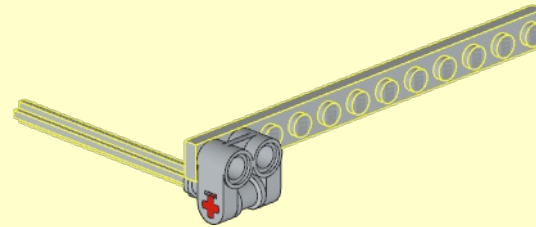
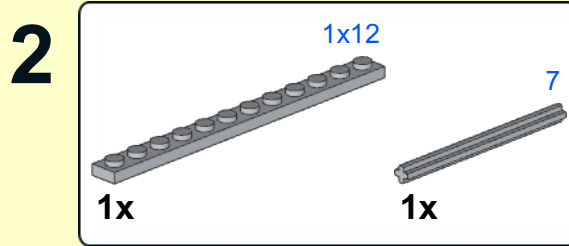
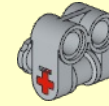
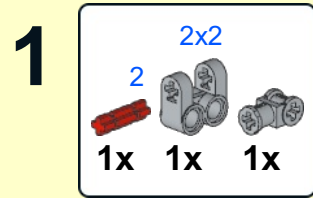


4

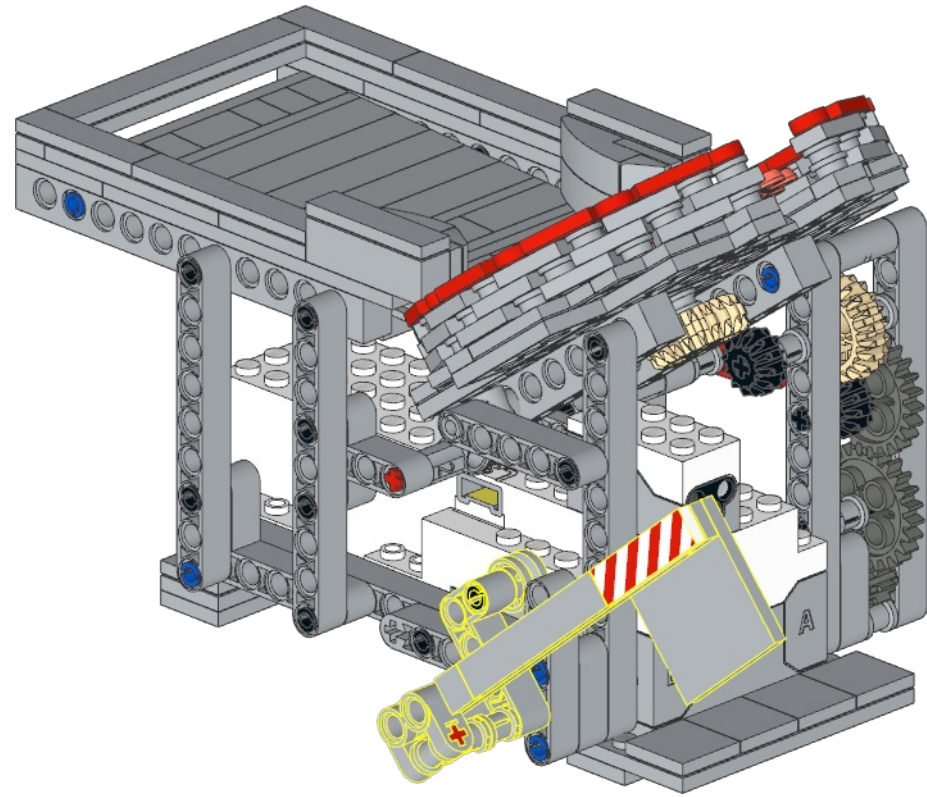


6

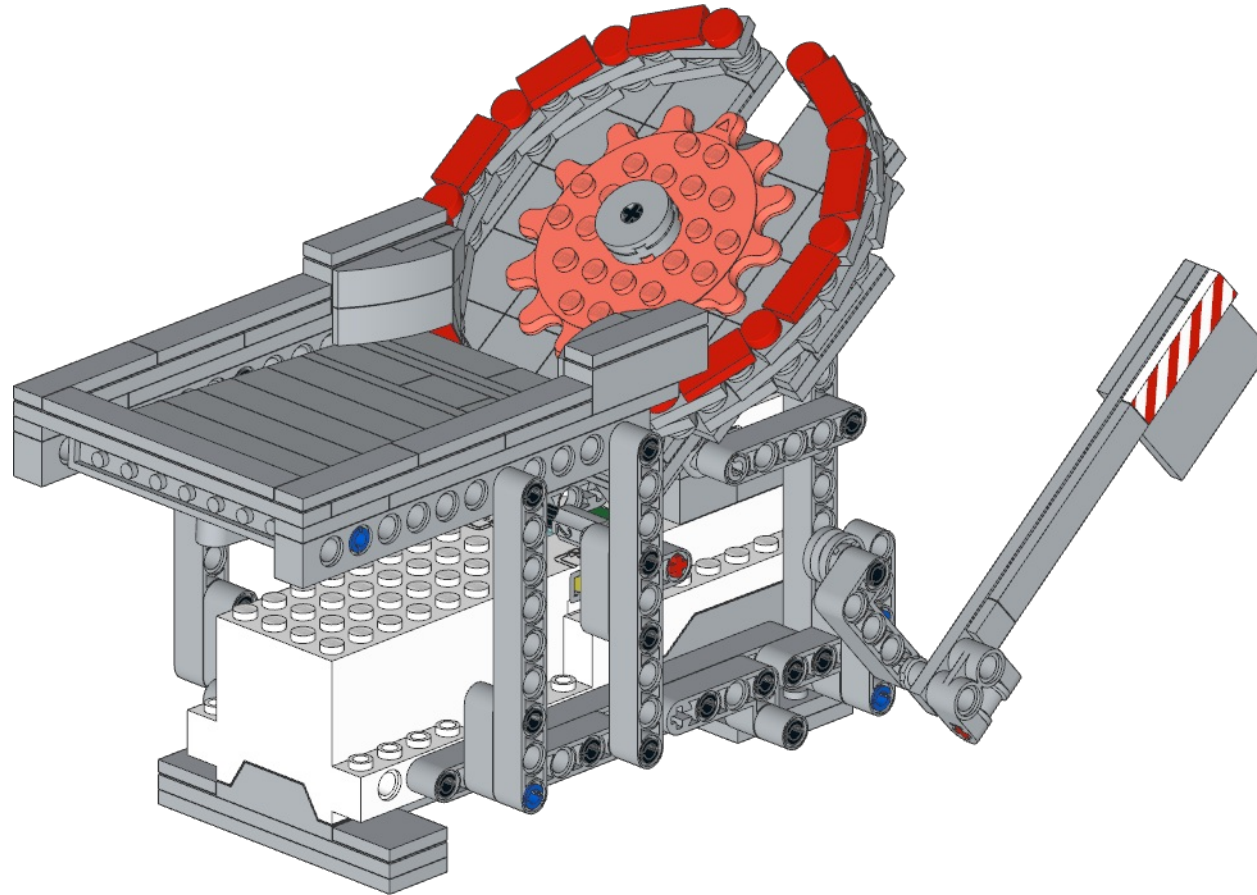


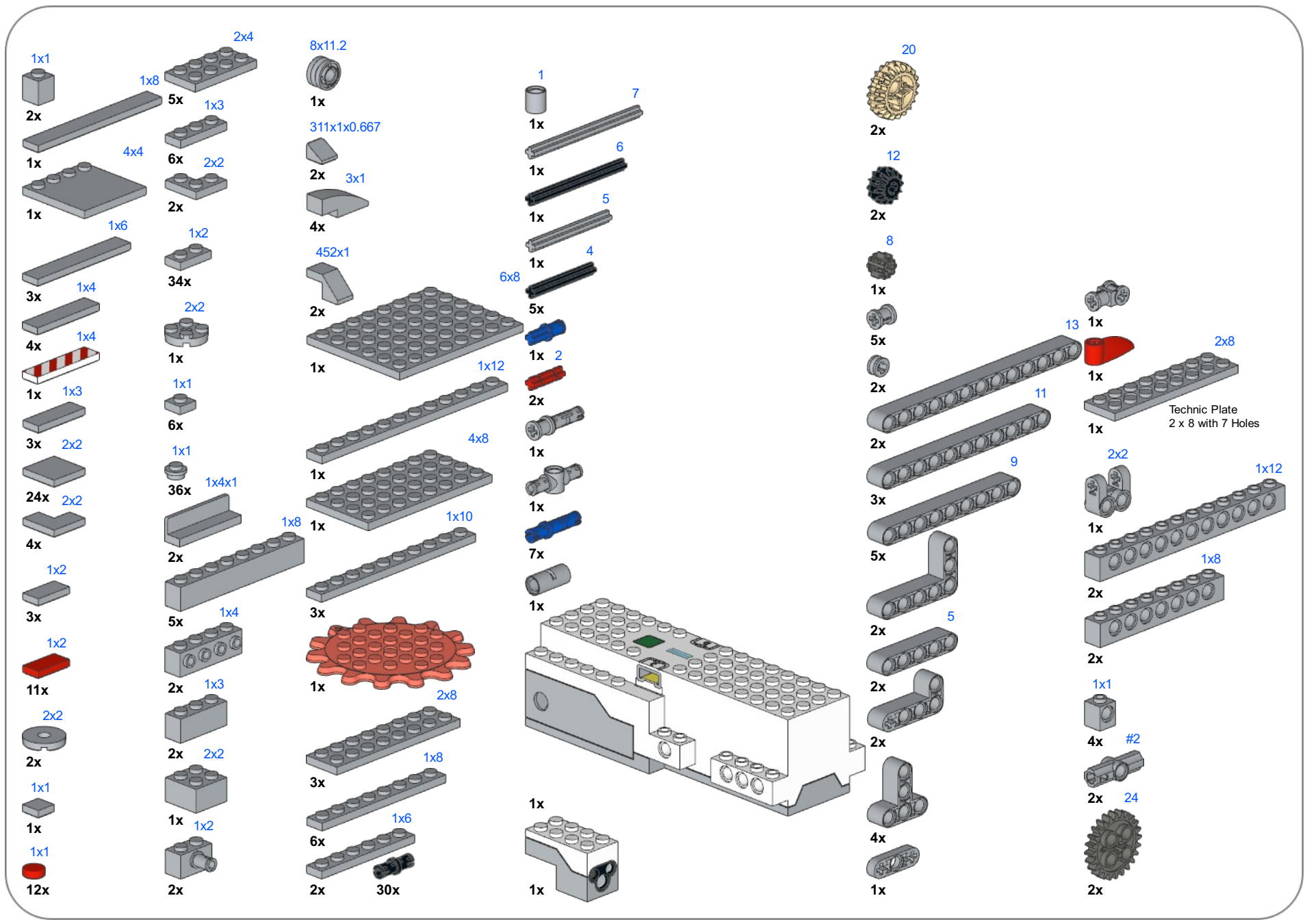


7



7





Model design and PDF Instructions by Akiyuki
Copyright © 2019 Akiyuki
<https://akiyuki.jp/>

This is a custom model using LEGO® Bricks. Not an official model of the LEGO Group.
LEGO® is a registered trademark of the LEGO Group,
which does not sponsor, endorse, or authorize these
instructions or the model.

The instructions were created using the LDraw System Of Tools.
The CAD file of the model was created using MLCAD.
Publishing was done using LPub3D.