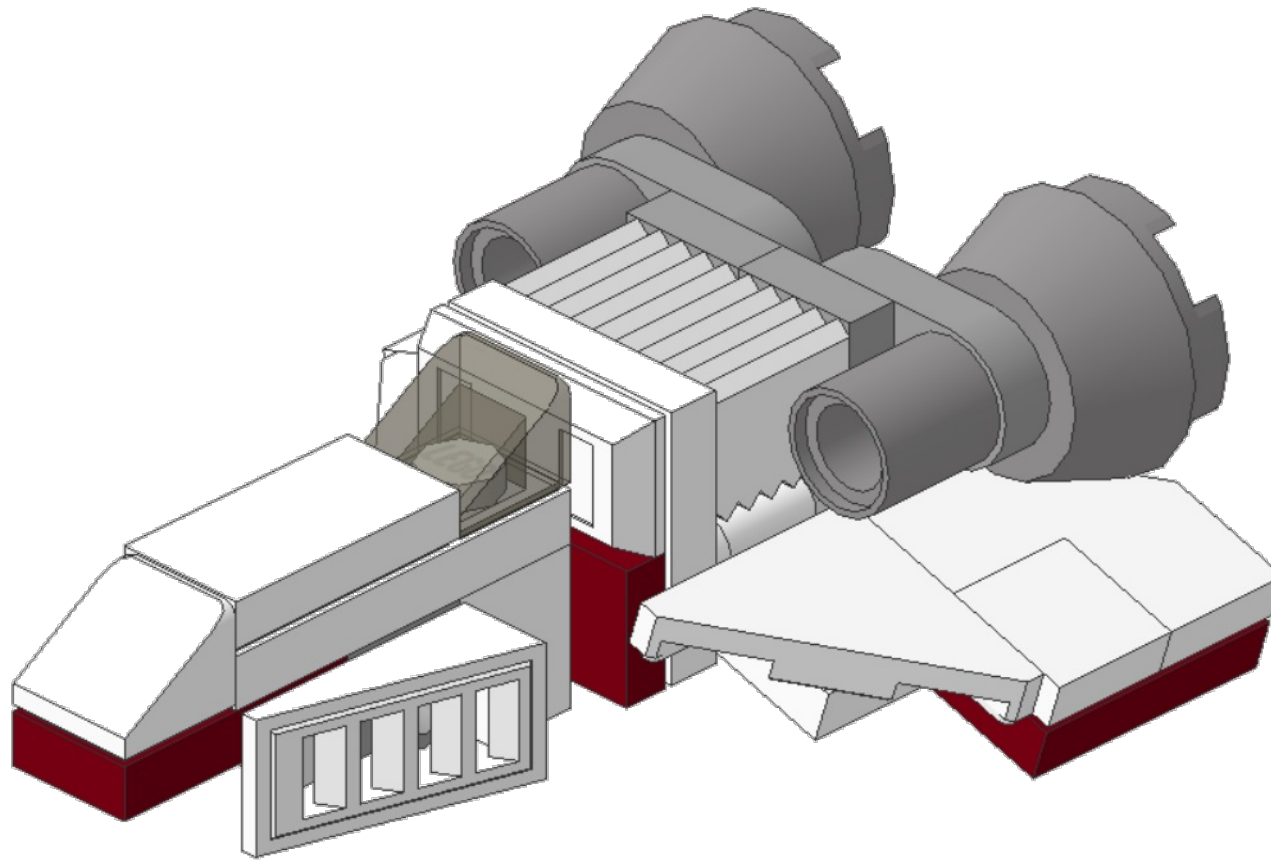


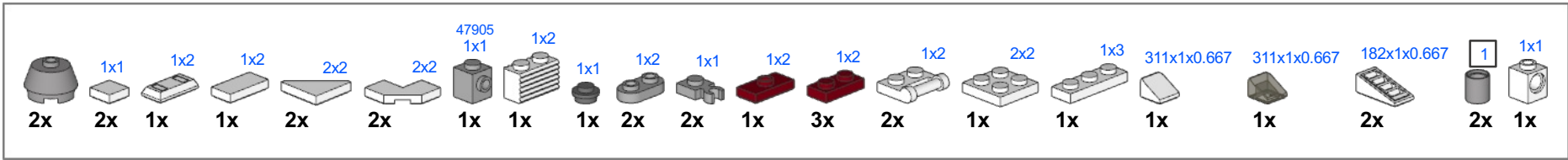
# Spacecraft Elevator

## Part2 Spacecraft

Model design and instructions by Akiyuki

32 Parts





**Model design and PDF Instructions by Akiyuki**  
**Copyright © 2020 Akiyuki**  
**<https://akiyuki.jp/>**

**This is a custom model using LEGO® Bricks. Not an official model of the LEGO Group.  
LEGO® is a registered trademark of the LEGO Group,  
which does not sponsor, endorse, or authorize these  
instructions or the model.**

**The instructions were created using the LDraw System Of Tools.  
The CAD file of the model was created using MLCAD.  
Publishing was done using LPub3D.**